



Cast Iron Y-Strainer

As the professional manufacture, we would like to provide you Hispeed® Cast Iron Y-Strainer. We supply Cast Iron Y-Strainer. The HISPEED® Cast Iron Y-Strainers may be used in commercial and industrial applications, including water supply, waste water, gas supply, fire protection, HVAC and irrigation. Choose HISPEED® Cast Iron Y-Strainers for the most specified, versatile and economical valve option in commercial,

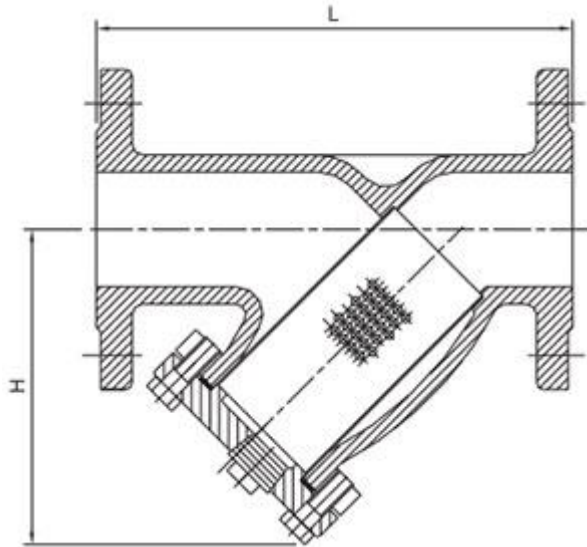
mechanical and industrial applications. We are expecting to become your long term partner in China.

Product Description

The following is the introduction of high quality Hispeed® Cast Iron Y-Strainer, hoping to help you better understand Cast Iron Y-Strainer. Welcome new and old customers to continue to cooperate with us to create a better future!

The HISPEED® Cast Iron Y-Strainers may be used in commercial and industrial applications, including water supply, waste water, gas supply, fire protection, HVAC and irrigation. Choose HISPEED® Cast Iron Y-Strainers for the most specified, versatile and economical valve option in commercial, mechanical and industrial applications. We are expecting to become your long term partner in China. We're convinced that with joint endeavours, the business between us will bring us mutual benefits. We are able to guarantee you products high quality and competitive value for Wholesale OEM/ODM China Cast Iron Y Type Strainer Sy4p-10/16/25 (C), We warmly welcome good friends from all walks of life to cooperate with us. Wholesale OEM/ODM China Strainer, Filter, We're always creating new technology to streamline the production, and supply goods with competitive prices and high quality! Customer satisfaction is our priority! You can let us know your idea to develop unique design for your own model to prevent too much similar parts in the market! We will present our best service to satisfy all your needs! You should contact us right away!

Product Parameter (Specification)



Size	DN50	DN65	DN80	DN100	DN125	DN150	DN200	DN250	DN300	DN350	DN400	DN450	DN500	DN600
L	230	273	295	352	416	470	543	660	770	960	1079	1168	1275	1450
H	149	180	203	244	285	324	393	473	554	755	840	910	968	1160
Plug	1/2"	1"	1"	1"	1-1/4"	1-1/2"	1-1/2"	2"	2"	2"	2"	2"	2"	2"

Product Feature And Application

NPT or BSPT blowoff outlet on cover

Screens are perforated ss304 with spot welded seam

Recessed seat in body assures accurate screen alignment

Flanged and Drilling Complies with ANSI B16.1 Class125 / EN1092-2 PN16

300psi/PN16

Fusion Bonded Epoxy Coated Interior and Exterior to AWWA C550 Standard

Product Details

Part	Material	EN Specification	ASTM Specification
Body	Cast Iron	EN 1561 EN-GJL-250	A126 Class B
Cover	Cast Iron	EN 1561 EN-GJL-250	A126 Class B
Screen	Stainless Steel	EN10088-3, X5CrNi18-10	A276 Grade 304
Gasket	Graphite		
Plug	7101 Cast Iron	EN 1561, EN-GJL-250	A126 Class B
	7102 Ductile Iron	EN 1563, EN-GJS-450-10	A536 65-45-12

Deliver,Shipping And Serving

Ship from Qingdao or another Seaports

FAQ

	Q	A
1	How many days you need to install the equipment?	Unwanted.
2	How many staff abroad you sent to install the equipment?	Unwanted.
3	Can I transfer the money to you then you pay to other supplier?	YES.
4	Can I delivery the goods from other supplier to your factory? Then load together?	YES.
5	When will you leave your factory and to have your spring festival holidays?	According to national regulations.
6	Can the equipment be installed under hot weather?	YES.
7	Can Your products be installed under the cold weather?	YES.
8	Do You have office in shanghai or guangzhou that i can visit?	NONE.
9	Can you send your staff to install the equipment for us?	Unwanted.
10	Can I only buy some spare parts from you?	YES.
11	Will you will attend the fair to show your products?	YES.
12	Can you send your equipment to my warehouse in guangzhou?	YES.
13	How long it takes you to provide the designing options for us?	3 days at most.
14	What is your products standardization?	AWWA BS AIP WRAS FM.
15	How do you pack the equipment?	Negotiate with the customer.
16	Can you can design the equipment according to our size?	YES.

17	How many years have your company made this kind of equipment?	5 years.
18	Which certificate do you have for your equipment?	FM.
19	How many staffs do you have in your factory?	200
20	Do you have any agent in our country?	NONE.
21	Do you have any real project pictures of the equipment?	YES.
22	How far is your factory from the city hotel?	10 km.
23	How far is your factory from the airport?	10 km.
24	How long it will take from guangzhou to your factory?	5 hours.
25	Where is your factory located?	Weifang City, Shandong province.
26	Do you provide free spare parts?	It depends.
27	What is the age range for your products?	Everyone.
28	Do you have detailed and professional installation manual?	YES.
29	If OEM is acceptable?	YES.
30	Do you provide sample? Free or charge?	It depends.
31	What is your term of payment?	30% payment in advance, 70% paid before shipment.
32	What is your MOQ?	One container.
33	Are you a trading company or a manufacturer?	Trade and Industry combination group company.
34	How long is your delivery time?	25-40 days.