



Butterfly Valve(Grooved)

High quality Hispeed® Butterfly Valve(Grooved) is offered by China manufacturer Hispeed. We supply Butterfly Valve(Grooved).The butterfly valves are indicating type valves designed for use in fire protection systems where a visual indication of open valve condition is required. They are used, for example, as system, sectional and pump water control valves.The butterfly valve features a AWWA C606 Groove, grooved end connection for

easy installation and accessibility. We are expecting to become your long term partner in China.

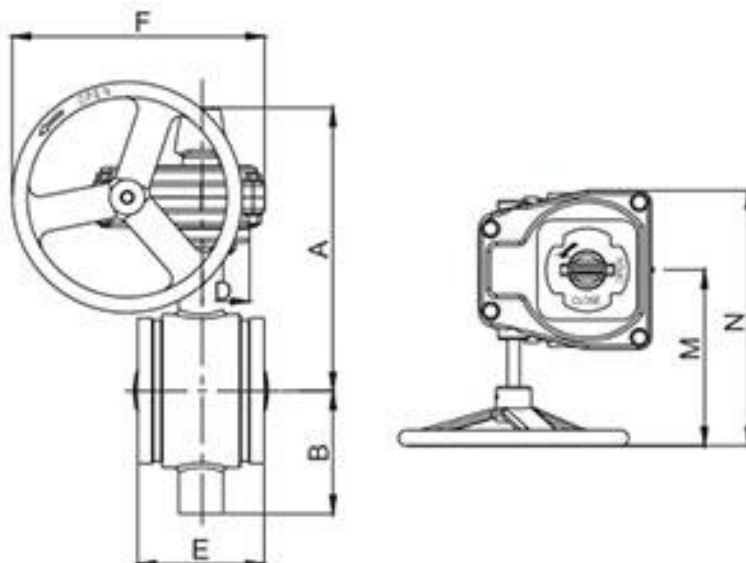
Product Description

Hispeed® Butterfly Valve(Grooved) have characteristic design & practical performance & competitive price, for more information on the Butterfly Valve(Grooved), please feel free to contact us.

Hispeed® Butterfly Valve(Grooved)

The Hispeed® butterfly valves are indicating type valves designed for use in fire protection systems where a visual indication of open valve condition is required. They are used, for example, as system, sectional and pump water control valves.The butterfly valve features a AWWA C606 Grooved, grooved end connection for easy installation and accessibility. We are expecting to become your long term partner in China.

Product Parameter (Specification)



| Size | A | B | E | F | M | N |
|------|-----------|-----------|----------|-----------|----------|-----------|
| 2 | 220/8.70 | 77/3.00 | 84/3.30 | 190/7.48 | 150/5.90 | 228/8.98 |
| 2.5 | 230/9.00 | 85/3.35 | 97/3.81 | 190/7.48 | 150/5.90 | 228/8.98 |
| 3 | 235/9.25 | 90/3.55 | 97/3.81 | 190/7.48 | 150/5.90 | 228/8.98 |
| 4 | 265/10.45 | 110/4.30 | 116/4.56 | 190/7.48 | 150/5.90 | 228/8.98 |
| 5 | 285/11.25 | 120/4.75 | 148/5.81 | 215/8.46 | 157/6.18 | 235/9.25 |
| 6 | 305/12.00 | 145/5.70 | 148/5.81 | 215/8.46 | 157/6.18 | 235/9.25 |
| 8 | 360/14.25 | 180/7.00 | 133/5.25 | 280/11.02 | 205/8.07 | 310/12.20 |
| 10 | 410/16.20 | 230/9.00 | 159/6.25 | 280/11.02 | 230/9.06 | 333/13.11 |
| 12 | 435/17.13 | 260/10.25 | 165/6.50 | 280/11.02 | 230/9.06 | 333/13.11 |

Product Feature And Application

Outdoor and Indoor Rated

Flag Type Position Indicator

Built-in Supervisory Switch

Face to Face Dimensions to MSS SP-67

Grooved Ends Dimensions meet AWWA C606

300PSI

Fusion Bonded Epoxy Coated Interior and Exterior to AWWA C550 Standard

Product Details

| Part | Material | ASTM Specification |
|-----------|---|---------------------|
| Body | Ductile Iron | A536 Grade 65-45-12 |
| Disc | EPDM fully Encapsulated Dcutile Iron Disc | |
| Shaft | Stainless Steel | A276 Grade 431 |
| Bushing | Brass | B124 C37700 |
| Housing | Grey Cast Iron | A126 Class B |
| Fasteners | Carbon Steel | A307 Grade B |

Deliver,Shipping And Serving

Ship from Qingdao or another Seaports

FAQ

| | Q | A |
|---|---|-----------|
| 1 | How many days you need to install the equipment? | Unwanted. |
| 2 | How many staff abroad you sent to install the equipment? | Unwanted. |
| 3 | Can I transfer the money to you then you pay to other supplier? | YES. |
| 4 | Can I delivery the goods from | YES. |

| | | |
|----|---|------------------------------------|
| | other supplier to your factory? Then load together? | |
| 5 | When will you leave your factory and to have your spring festival holidays? | According to national regulations. |
| 6 | Can the equipment be installed under hot weather? | YES. |
| 7 | Can Your products be installed under the cold weather? | YES. |
| 8 | Do You have office in shanghai or guangzhou that i can visit? | NONE. |
| 9 | Can you send your staff to install the equipment for us? | Unwanted. |
| 10 | Can I only buy some spare parts from you? | YES. |
| 11 | Will you will attend the fair to show your products? | YES. |
| 12 | Can you send your equipment to my warehouse in guangzhou? | YES. |
| 13 | How long it takes you to provide the designing options for us? | 3 days at most. |
| 14 | What is your products standardization? | AWWA BS AIP WRAS FM. |
| 15 | How do you pack the equipment? | Negotiate with the customer. |
| 16 | Can you can design the equipment according to our size? | YES. |
| 17 | How many years have your company made this kind of equipment? | 5 years. |
| 18 | Which certificate do you have for your equipment? | FM. |
| 19 | How many staffs do you have in your factory? | 200 |
| 20 | Do you have any agent in our | NONE. |

| | | |
|----|--|---|
| | country? | |
| 21 | Do you have any real project pictures of the equipment? | YES. |
| 22 | How far is your factory from the city hotel? | 10 km. |
| 23 | How far is your factory from the airport? | 10 km. |
| 24 | How long it will take from guangzhou to your factory? | 5 hours. |
| 25 | Where is your factory located? | Weifang City, Shandong province. |
| 26 | Do you provide free spare parts? | It depends. |
| 27 | What is the age range for your products? | Everyone. |
| 28 | Do you have detailed and professional installation manual? | YES. |
| 29 | If OEM is acceptable? | YES. |
| 30 | Do you provide sample? Free or charge? | It depends. |
| 31 | What is your term of payment? | 30% payment in advance, 70% paid before shipment. |
| 32 | What is your MOQ? | One container. |
| 33 | Are you a trading company or a manufacturer? | Trade and Industry combination group company. |
| 34 | How long is your delivery time? | 25-40 days. |

We generally believe that one's character decides products' top quality, the details decides products' high-quality ,along with the REALISTIC,EFFICIENT AND INNOVATIVE team spirit for Cheap PriceList for China Supply Grooved Clamp Butterfly Valves 300lb 150lb Pn10 Pn16, We welcome you to definitely be a part of us during this path of making a affluent and productive business enterprise together. Cheap PriceList for China Grooved Clamp Butterfly Valves, Ots Supply Clamp Butterfly Valves 300lb 150lb, We warmly welcome you to come to visit us personally. We hope to establish a long-term friendship based on equality and mutual benefit. If you want to get in touch with us, be sure to do not hesitate to call. We'll be your best choice.