



Brass or Bronze Gate Valve

We supply Brass or Bronze Gate Valve. The HISPEED® Brass or Bronze Gate Valves are designed and manufactured to provide maximum service life and dependability. The HISPEED® Brass or Bronze Gate Valves may be used in building services, water treatment, gas, oil, etc. Choose HISPEED® Brass or Bronze Gate Valves for the most specified, versatile and economical valve option in commercial, mechanical and industrial applications. We are expecting to become your

long term partner in China.

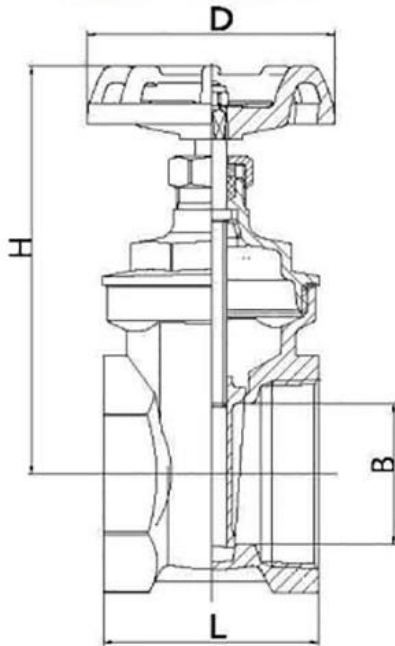
Product Description

As the professional manufacturer, we would like to provide you high quality Hispeed® Brass or Bronze Gate Valve. And we will offer you the best after-sale service and timely delivery.

The HISPEED® Brass or Bronze Gate Valves are designed and manufactured to provide maximum service life and dependability. The HISPEED® Brass or Bronze Gate Valves may be used in building services, water treatment, etc. Choose HISPEED® Brass or Bronze Gate Valves for the most specified, versatile and economical valve option in commercial, mechanical and industrial applications. We are expecting to become your long term partner in China.

We've been ready to share our knowledge of promoting worldwide and recommend you suitable products at most aggressive selling prices. So Tools supply you most effective value of money and we've been ready to produce alongside one another with Factory Promotional China Forged Brass Gate Valves Bronze with Casting Iron Handle, Adhering to the business philosophy of 'customer first, forge ahead', we sincerely welcome clients from at home and abroad to cooperate with us give you best service! Factory Promotional China Gate Valve, Valve-Gate Valve, Our factory insists on the principle of "Quality First, Sustainable Development", and takes "Honest Business, Mutual Benefits" as our developable goal. All members sincerely thanks for all old and new customers' support. We will keep working hard and offering you the highest-quality goods and service. Thanks.

Product Parameter (Specification)



DN	SIZE	L mm	B mm	H mm	D mm	Weight Kg
15	1/2	43	14	70	53	0.26
20	3/4	47	18	78	53	0.31
25	1	52.5	20	83	58	0.42
32	1-1/4	57	27.5	100	71	0.66
40	1-1/2	62	34	110	71	0.79
50	2	68	45	132	78	1.20

Product Feature And Application

Annealing treatment body & bonnet after forging, guarantee long lifetime & better temperature & pressure resistant performance; PTFE gasket sealing, a. longer lifetime than O-Ring; b. Better temperature resistance than O-Ring; c. Easy maintenance; 100% high & low pressure test to guarantee no leakage.

Product Details

Brass/Bronze forged body, Brass/Bronze disc, Brass/Bronze Bonnet, with Steel/casting iron/aluminum handle, 200wog, 250wog, PN20 design, Thread End

Deliver, Shipping And Serving

Ship from Qingdao or another Seaports

FAQ

	Q	A
1	How many days you need to install the equipment?	Unwanted.
2	How many staff abroad you sent to install the equipment?	Unwanted.
3	Can I transfer the money to you then you pay to other supplier?	YES.
4	Can I delivery the goods from other supplier to your factory? Then load together?	YES.
5	When will you leave your factory and to have your spring festival holidays?	According to national regulations.
6	Can the equipment be installed under hot weather?	YES.
7	Can Your products be installed under the cold weather?	YES.
8	Do You have office in shanghai or guangzhou that i can visit?	NONE.
9	Can you send your staff to install the equipment for us?	Unwanted.
10	Can I only buy some spare parts from you?	YES.
11	Will you will attend the fair to show your products?	YES.
12	Can you send your equipment to my warehouse in guangzhou?	YES.
13	How long it takes you to provide the designing options for us?	3 days at most.
14	What is your products standardization?	AWWA BS AIP WRAS FM.
15	How do you pack the equipment?	Negotiate with the customer.
16	Can you can design the equipment according to our size?	YES.

17	How many years have your company made this kind of equipment?	5 years.
18	Which certificate do you have for your equipment?	FM.
19	How many staffs do you have in your factory?	200
20	Do you have any agent in our country?	NONE.
21	Do you have any real project pictures of the equipment?	YES.
22	How far is your factory from the city hotel?	10 km.
23	How far is your factory from the airport?	10 km.
24	How long it will take from guangzhou to your factory?	5 hours.
25	Where is your factory located?	Weifang City,Shandong province.
26	Do you provide free spare parts?	It depends.
27	What is the age range for your products?	Everyone.
28	Do you have detailed and professional installation manual?	YES.
29	If OEM is acceptable?	YES.
30	Do you provide sample? Free or charge?	It depends.
31	What is your term of payment?	30% payment in advance, 70% paid before shipment.
32	What is your MOQ?	One container.
33	Are you a trading company or a manufacturer?	Trade and Industry combination group company.
34	How long is your delivery time?	25-40 days.



Hispeed Group Inc.

www.headsupplier.com

Tel: +86-18005365375

E-mail: sales@headsupplier.com