



Brass or Bronze Ball Valve

We supply Brass or Bronze Ball Valve. The HISPEED® Brass or Bronze Ball Valves are designed and manufactured to provide maximum service life and dependability. The HISPEED® Brass or Bronze Ball Valves may be used in building services, water treatment, gas, oil, etc. Choose HISPEED® Brass or Bronze Ball Valves for the most specified, versatile and economical valve option in commercial, mechanical and industrial applications. We are expecting to become your long term partner in China.

industrial applications. We are expecting to become your long term partner in China.

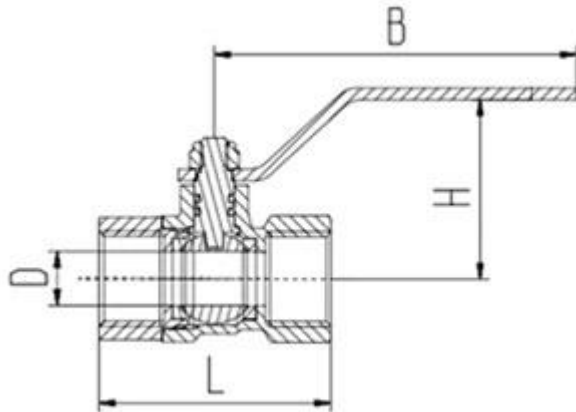
Product Description

As the professional manufacturer, we would like to provide you high quality Hispeed® Brass or Bronze Ball Valve. And we will offer you the best after-sale service and timely delivery.

The HISPEED® Brass or Bronze Ball Valves are designed and manufactured to provide maximum service life and dependability. The HISPEED® Brass or Bronze Ball Valves may be used in building services, water treatment, etc. Choose HISPEED® Brass or Bronze Ball Valves for the most specified, versatile and economical valve option in commercial, mechanical and industrial applications. We are expecting to become your long term partner in China.

Gaining client pleasure is our company's aim without end. We are going to make excellent efforts to create new and top-quality goods, meet your special requirements and provide you with pre-sale, on-sale and after-sale companies for ODM Manufacturer China OEM/ODM UL Factory Stainless Steel Brass Bronze Cast Ductile Iron Ball Valve with UL CSA Ce SA TUV Dvgw Upc Acs ISO9001, We usually concentrating on acquiring new creative products to fulfill request from our clientele all around the world. Be a part of us and let's make driving safer and funnier jointly! ODM Manufacturer China ANSI Cast Iron Ball Valve, DIN Ductile Iron Ball Valve, Besides there are also professional production and management, advanced production equipment to assure our quality and delivery time, our company pursues the principle of good faith, high-quality and high-efficiency. We guarantee that our company will try our best to reduce customer purchase cost, shorten the period of purchase, stable products quality, increase customers' satisfaction and achieve win-win situation.

Product Parameter (Specification)



Ball valve	Thread Size (F&F)	Weight (g)
DN15	1/2"	178
DN20	3/4"	250
DN25	1"	393
DN32	1 1/4"	581
DN40	1 1/2"	807
DN50	2"	1181

Size	DN	B	D	H	L
1/2F×1/2F	15	81	12	42.5	51.5
3/4F×3/4F	20	81	15	44.6	58
1F×1F	25	110	20	48.8	67.5
1 1/4F×1 1/4F	32	110	25	53.5	76
1 1/2F×1 1/2F	40	125	32	63	87
2F×2F	50	125	40	69.5	104.5

Product Feature And Application

Full bore, brass or bronze ball valves are used in commercial and industrial applications for a full range of liquids and gases. They feature a bottom-loaded blowout-proof stem, virgin PTFE seats, thrust washer, and adjustable stem packing gland, stem packing nut, chrome plated brass/bronze ball, brass/bronze adapter, and steel handle or iron handle. Thread: BSP ,NPT,etc.

Product Details

- Body Material: Brass/Bronze
- Ball: Brass/Bronze chrome plated
- Ball seat and packing: PTFE
- Stem and gland: Brass/Bronze
- Handle: Steel chrome plated with PVC coating
- Medium: water, oil, air,gas
- Temperature: -10°C-110°C
- Thread: Female*Female
- Handle: Iron/SS201/SS304 plate (blue and red)
- Working pressure: Up to PN 32.0

Ball valves: 600 WOG full port, reduced port.
 Thread: PT. PF. NPT. G. BSP. NPS . BSPT
 Available from Male to Male
 Mainly use in Agricultural field and Air pump

Deliver,Shipping And Serving

Ship from Qingdao or another Seaports

FAQ

	Q	A
1	How many days you need to install the equipment?	Unwanted.
2	How many staff abroad you sent to install the equipment?	Unwanted.
3	Can I transfer the money to you then you pay to other supplier?	YES.
4	Can I delivery the goods from other supplier to your factory? Then load together?	YES.
5	When will you leave your factory and to have your spring festival holidays?	According to national regulations.
6	Can the equipment be installed under hot weather?	YES.
7	Can Your products be installed under the cold weather?	YES.
8	Do You have office in shanghai or guangzhou that i can visit?	NONE.
9	Can you send your staff to install the equipment for us?	Unwanted.
10	Can I only buy some spare parts from you?	YES.
11	Will you will attend the fair to show your products?	YES.
12	Can you send your equipment to my warehouse in guangzhou?	YES.
13	How long it takes you to provide the designing options for us?	3 days at most.

14	What is your products standardization?	AWWA BS AIP WRAS FM.
15	How do you pack the equipment?	Negotiate with the customer.
16	Can you can design the equipment according to our size?	YES.
17	How many years have your company made this kind of equipment?	5 years.
18	Which certificate do you have for your equipment?	FM.
19	How many staffs do you have in your factory?	200
20	Do you have any agent in our country?	NONE.
21	Do you have any real project pictures of the equipment?	YES.
22	How far is your factory from the city hotel?	10 km.
23	How far is your factory from the airport?	10 km.
24	How long it will take from guangzhou to your factory?	5 hours.
25	Where is your factory located?	Weifang City,Shandong province.
26	Do you provide free spare parts?	It depends.
27	What is the age range for your products?	Everyone.
28	Do you have detailed and professional installation manual?	YES.
29	If OEM is acceptable?	YES.
30	Do you provide sample? Free or charge?	It depends.
31	What is your term of payment?	30% payment in advance, 70% paid before shipment.

32	What is your MOQ?	One container.
33	Are you a trading company or a manufacturer?	Trade and Industry combination group company.
34	How long is your delivery time?	25-40 days.