



300PSI Resilient-Seated Swing Check Valve(Grooved End)

You can rest assured to buy customized Hispeed® 300PSI Resilient-Seated Swing Check Valve(Grooved End) from us. We supply 300PSI Resilient-Seated Swing Check Valve(Grooved End).The Check Valves are low friction loss check valves designed for use in fire protection systems. These are used in fire protection systems to allow water-flow in one direction only. Typical

applications include connections between public water supplies and private fire systems, at the discharge from fire pumps, at gravity tank connections and at fire department pumper connections.We are expecting to become your long term partner in China.

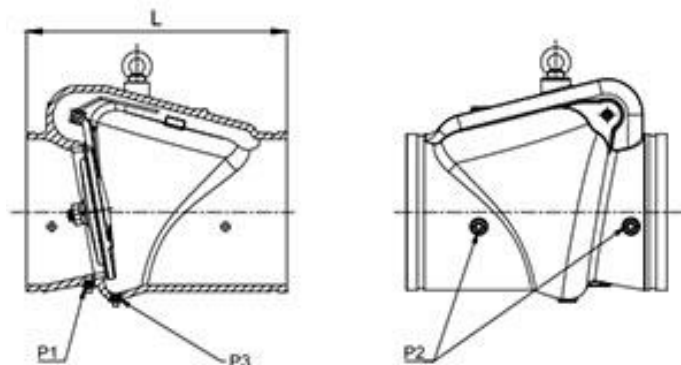
Product Description

You are welcomed to come to our factory to buy the latest selling, low price, and high-quality Hispeed® 300PSI Resilient-Seated Swing Check Valve(Grooved End). With many European and American, Asian and domestic customers, we have established long-term good relationship with common progress. Sincerely expect to join hands with you to create the future.

Hispeed® 300PSI Resilient-Seated Swing Check Valve(Grooved End)

The Check Valves are low friction loss check valves designed for use in fire protection systems. These are used in fire protection systems to allow water-flow in one direction only. Typical applications include connections between public water supplies and private fire systems, at the discharge from fire pumps, at gravity tank connections and at fire department pumper connections.We are expecting to become your long term partner in China.

Product Parameter (Specification)



Size			Length	BSPT (NPT) plug		
Inch	DN	mm	L (mm)	P1	P2	P3
2"	50	60.3	171	1/2	3/8	1/2
2-1/2"	65	76.1	184	1/2	3/8	1/2
3"	80	88.9	197	1/2	3/8	1/2
4"	100	114.3	210	1/2	1/2	1/2
5"	125	139.7	248	1/2	1/2	1/2
6"	150	168.3	324	1/2	1/2	1/2
8"	200	219.1	371	1/2	1/2	1/2
10"	250	273.0	457	1/2	1/2	1/2
12"	300	323.9	535	1/2	1/2	1/2

Product Feature And Application

Groove ends to AWWA C606

300psi

Fusion Bonded Epoxy Coated Interior and Exterior to AWWA C550 Standard

Product Details

Body	Ductile iron as EN-GJS-450-10	Hinge pin	Ss420
Disc	SS304 + EPDM (2" to 4")	Disc	Ductile iron as as EN-GJS-450-10 + EPDM (5" to 12")
Seat ring	Bronze as ASTM B62 C83600 / SS304	Plug	Galvanized malleable iron / bronze

Deliver,Shipping And Serving

Ship from Qingdao or another Seaports

FAQ

	Q	A
1	How many days you need to install the equipment?	Unwanted.
2	How many staff abroad you sent to install the equipment?	Unwanted.
3	Can I transfer the money to you then you pay to other supplier?	YES.
4	Can I delivery the goods from other supplier to your factory? Then load together?	YES.
5	When will you leave your factory and to have your spring festival holidays?	According to national regulations.

6	Can the equipment be installed under hot weather?	YES.
7	Can Your products be installed under the cold weather?	YES.
8	Do You have office in shanghai or guangzhou that i can visit?	NONE.
9	Can you send your staff to install the equipment for us?	Unwanted.
10	Can I only buy some spare parts from you?	YES.
11	Will you will attend the fair to show your products?	YES.
12	Can you send your equipment to my warehouse in guangzhou?	YES.
13	How long it takes you to provide the designing options for us?	3 days at most.
14	What is your products standardization?	AWWA BS AIP WRAS FM.
15	How do you pack the equipment?	Negotiate with the customer.
16	Can you can design the equipment according to our size?	YES.
17	How many years have your company made this kind of equipment?	5 years.
18	Which certificate do you have for your equipment?	FM.
19	How many staffs do you have in your factory?	200
20	Do you have any agent in our country?	NONE.
21	Do you have any real project pictures of the equipment?	YES.
22	How far is your factory from the city hotel?	10 km.

23	How far is your factory from the airport?	10 km.
24	How long it will take from guangzhou to your factory?	5 hours.
25	Where is your factory located?	Weifang City, Shandong province.
26	Do you provide free spare parts?	It depends.
27	What is the age range for your products?	Everyone.
28	Do you have detailed and professional installation manual?	YES.
29	If OEM is acceptable?	YES.
30	Do you provide sample? Free or charge?	It depends.
31	What is your term of payment?	30% payment in advance, 70% paid before shipment.
32	What is your MOQ?	One container.
33	Are you a trading company or a manufacturer?	Trade and Industry combination group company.
34	How long is your delivery time?	25-40 days.

That has a positive and progressive attitude to customer's fascination, our enterprise constantly improves our merchandise high quality to meet the demands of customers and further focuses on safety, reliability, environmental requirements, and innovation of Chinese wholesale China 4 Inch Grooved End Ductile Iron Soft Seal Cast Iron Socket End Gate Valve Swing Check Valve Butterfly Valve Brass Ball Valve Motorized Gate Valve, Welcome your browsing and any your inquires, sincerely hope we are able to have chance to cooperate with you and we will build-up extensive effectively company marriage along with you. Chinese wholesale China Gate Valve Price, Grooved Gate Valve, Our company follows laws and international practice. We promise to be responsible for friends, customers and all partners. We would like to establish a long-term relationship and friendship with every customer from all over the world on the basis of mutual benefits. We warmly welcome all old and new customers to visit our company to negotiate business.