



300PSI Bronze Butterfly Valve(Threaded)

You can rest assured to buy customized Hispeed® 300PSI Bronze Butterfly Valve(Threaded) from us. We supply Bronze 300PSI Bronze Butterfly Valve(Threaded).The butterfly valves are indicating type valves designed for use in fire protection systems where a visual indication of open valve condition is required. The butterfly valve features a ANSI/ASME B1.20.1 NPT Thread, threaded end connection for easy installation and

accessibility. We are expecting to become your long term partner in China.

Product Description

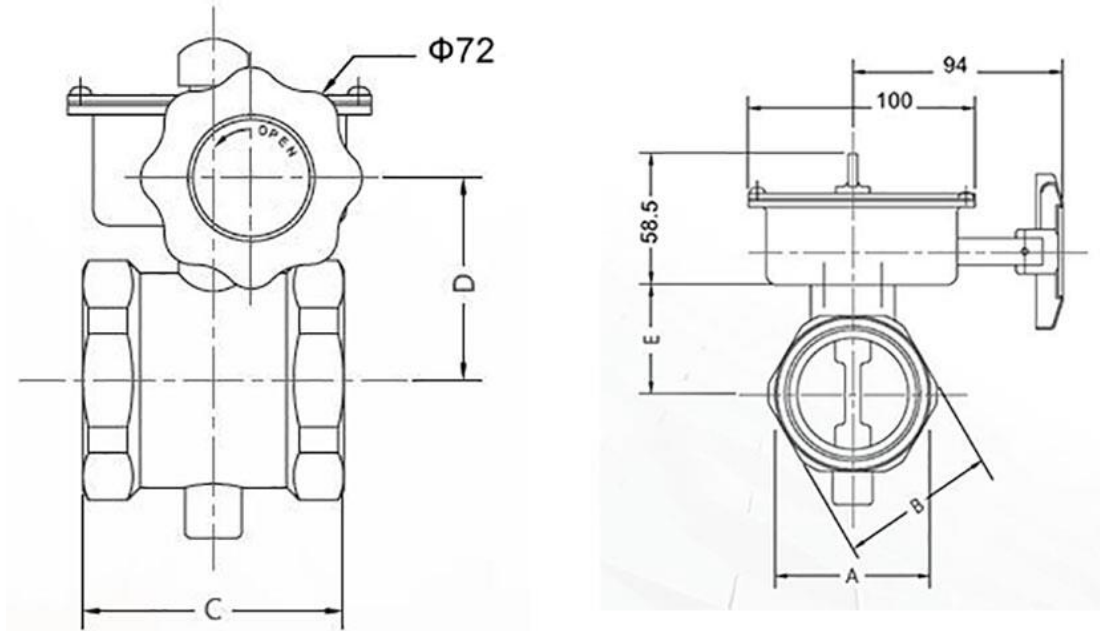
You can rest assured to buy Hispeed® 300PSI Bronze Butterfly Valve(Threaded) from our factory and we will offer you the best after-sale service and timely delivery. Sincerely look forward to cooperating with you in the near future.

Hispeed® 300PSI Bronze Butterfly Valve(Threaded)

The bronze butterfly valves are indicating type valves designed for use in fire protection systems where a visual indication of open valve condition is required.The butterfly valve features a ANSI/ASME B1.20.1 NPT Thread, threaded end connection for easy installation and accessibility. We are expecting to become your long term partner in China.

Product Parameter (Specification)

NPS	DN	A	B	C	D	E
1	25	43.7	39.7	54.0	52.0	37.0
1-1/4	32	54.0	49.0	67.0	56.0	41.0
1-1/2	40	60.0	56.0	73.0	59.0	61.3
2	50	76.0	70.0	82.4	64.0	49.0
2-1/2	65	90.0	84.0	104.0	69.5	54.5



Product Feature And Application

Outdoor and Indoor Rated

Flag Type Position Indicator

Built-in Supervisory Switch

Threaded Dimensions Conform to ANSI/ASME B1.20.1 NPT

300PSI

Product Details

PART NAME	MATERIAL
BODY	Bronze
DISC	Bronze/SS304+EPDM
INDICATOR	SS304/Brass/Steel
HOUSING	Steel
HANDWHEEL	Steel
STEM	SS431/SS630

Deliver,Shipping And Serving

Ship from Qingdao or another Seaports

FAQ

	Q	A
1	How many days you need to install the equipment?	Unwanted.
2	How many staff abroad you sent	Unwanted.

	to install the equipment?	
3	Can I transfer the money to you then you pay to other supplier?	YES.
4	Can I delivery the goods from other supplier to your factory? Then load together?	YES.
5	When will you leave your factory and to have your spring festival holidays?	According to national regulations.
6	Can the equipment be installed under hot weather?	YES.
7	Can Your products be installed under the cold weather?	YES.
8	Do You have office in shanghai or guangzhou that i can visit?	NONE.
9	Can you send your staff to install the equipment for us?	Unwanted.
10	Can I only buy some spare parts from you?	YES.
11	Will you will attend the fair to show your products?	YES.
12	Can you send your equipment to my warehouse in guangzhou?	YES.
13	How long it takes you to provide the designing options for us?	3 days at most.
14	What is your products standardization?	AWWA BS AIP WRAS FM.
15	How do you pack the equipment?	Negotiate with the customer.
16	Can you can design the equipment according to our size?	YES.
17	How many years have your company made this kind of equipment?	5 years.
18	Which certificate do you have for	FM.

	your equipment?	
19	How many staffs do you have in your factory?	200
20	Do you have any agent in our country?	NONE.
21	Do you have any real project pictures of the equipment?	YES.
22	How far is your factory from the city hotel?	10 km.
23	How far is your factory from the airport?	10 km.
24	How long it will take from guangzhou to your factory?	5 hours.
25	Where is your factory located?	Weifang City,Shandong province.
26	Do you provide free spare parts?	It depends.
27	What is the age range for your products?	Everyone.
28	Do you have detailed and professional installation manual?	YES.
29	If OEM is acceptable?	YES.
30	Do you provide sample? Free or charge?	It depends.
31	What is your term of payment?	30% payment in advance, 70% paid before shipment.
32	What is your MOQ?	One container.
33	Are you a trading company or a manufacturer?	Trade and Industry combination group company.
34	How long is your delivery time?	25-40 days.

Sticking on the belief of "Creating goods of top of the range and creating buddies with persons from everywhere in the world", we normally put the fascination of shoppers in the first place for Manufacturer for China Brass Bronze Female Thread Swing Check Valve, Please don't hesitate to contact us if you are interested in our products. We firmly believe our products will make you satisfied. Manufacturer for China Swing Check Valve, Swing Thread Check Valve, At Present, our items have been exported to more than sixty countries and different regions, such as Southeast Asia, America, Africa, Eastern Europe, Russia, Canada etc. We sincerely hope to establish wide contact with all potential



Hispeed Group Inc.

www.headsupplier.com

customers both in China and the rest part of the world.

Tel: +86-18005365375

E-mail: sales@headsupplier.com