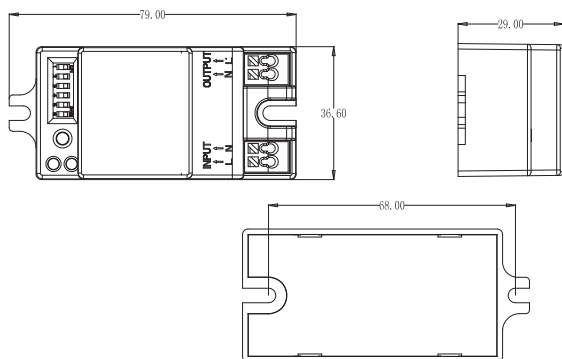


Microwave Sensor

PD-MV1028 Instruction



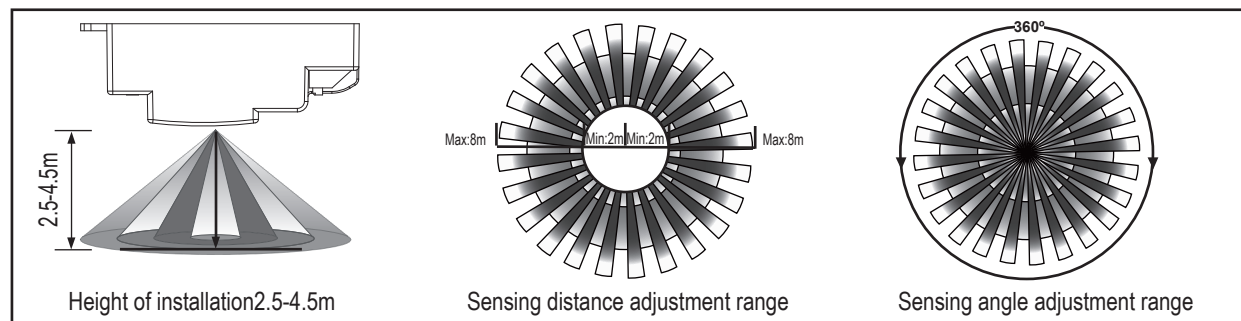
Product size



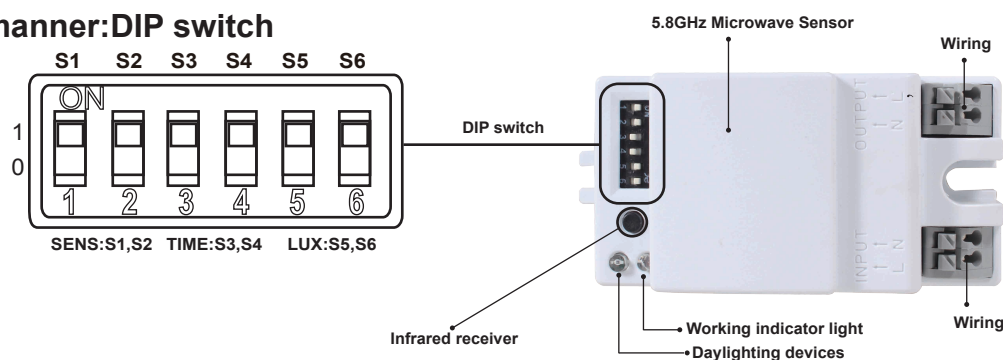
Features

- 1.Non-radiation harm: its transmitter power is lower than 0.2mW, which does no harm to human body.**
- 2.Strong anti-interference ability, can work in the temperature range of -15℃ -+70℃.**
- 3.The frequency is constant and the frequency drift will not occur in the frequency range.**
- 4.Slow light and slow down function.**

Sensor information



Setting manner:DIP switch



Specifications(sensor)

Power source: 220-240VAC
 Power frequency: 50Hz
 HF system: 5.8GHz CW electric wave,ISM band
 Rated load:
 1100W/5A,Max,tungsten(cosφ=1)
 550W/2.5A,Max,fluorescent & LED(cosφ=0.5)
 Protection level: IP20,Class II

Transmission power: <0.2mW
 Detection angle: 360°
 Detection range: 2m-4m-6m-8m (radii.) (adjustable)
 Time setting: 10sec-3min-6min-12min, (adjustable)
 Light-control: 10LUX-50LUX-150LUX- 2000LUX, (adjustable)
 Installation sit: indoors, ceiling mounting
 Power consumption: approx.0.5W
 Working temperature: -15℃~+70℃

Specifications(Remote control)

Power source: DC3V (CR 2032)
 Static current: <1μA
 Emitting current:<10mA
 Remote control distance: 15m(wide place)

Detection range setting (sensitivity) S1 S2

Detection range is the term used to describe the radii of the roughly circle casting on the ground when installed at the height of 3 m. To set the switch to ON is "1", to OFF is "0". Read through the right shown the corresponding table of the switch position to the detection range.

Notice: when using this product, please adjust the sensitivity (detection range) to an appropriate value but the maximum to avoid the abnormal reaction caused by the easy detection of the wrong motion by the blowing leaves & curtains, small animals or the interference of power grid & electrical equipment. All the above mentioned will lead to the error reaction. When the product does not work normally, please try to lower the sensitivity appropriately, and then test it. Human movement will cause the sensor induction, so when you under the function testing, please leave the induction region and don't make movement to prevent the sensor continuous work.

1	1
0	0

S1 S2

S1	S2	Detection range
0	0	2m (radii.)
0	1	4m (radii.)
1	0	6m (radii.)
1	1	8m (radii.)

Time setting S3 S4

It can be defined from 10 seconds to 12 minutes. Any movement detected before this time elapse will re-start the timer. It is recommended to select the shortest time for adjusting the detection range and for performing the walk test. To set the switch to ON is "1", to OFF is "0". Read through the right shown the corresponding table of the switch position to the delay time.

It is mainly for the adjustment of the delay time from the moment the signal detected and light auto-on till the light auto-off. You can define the delay time to your practical need. But you'd better lower the delay time for the sake of energy saving, since the microwave sensor has the function of continuous sensing, that is, any movement detected before the delay time elapses will re-start the timer and the light will keep on only if there is human in the detection range.

1	1
0	0

S3 S4

S3	S4	Time setting
0	0	10s
0	1	3min
1	0	6min
1	1	12min

1	1
0	0

S5 S6

S5	S6	Light-control
0	0	10LUX
0	1	50LUX
1	0	150LUX
1	1	2000LUX

Light-control setting S5 S6

It can be defined in the range of 10~2000 LUX. To set the switch to ON is "1", to OFF is "0". Read through the right shown the corresponding table of the switch position to the light-control value.

14-key remote controller LX-FS14B

SET: remote controller operating setting key, functional setting key.

To press this SET key, and then its valid to starting the remote control function. Otherwise the remote controller is not valid.

Note: You should finish the remote controller setting within 1 minutes; more than 1 minutes it will be locked automatically, and the microwave sensor give no response to the remote controller. If you do not finish the remote controller setting within 1 minutes, you need to re-press this SET key. When the microwave sensor give response to the remote controller, each time you press the Key, the indicator on the product will flash three times quickly. If there is no flash, that means the microwave sensor did not receive the signal from the remote controller.



AUTO mode: Press this key, the product enters the automatic sens mode, the product working according to the setting data. When you need this AUTO mode, you should set the data.

Sensitivity setting: 2m-4m-6m-8m(radii.)

Time delay setting: 10S、3MIN、6MIN、12MIN.

Lux setting: 10LUX、50LUX、150LUX、2000LUX.

Choose each setting according to your demand.

Note: to press the SET key before you use this AUTO mode. The SET is the key to start the remote controller function.

Fault	Failure cause	Solution
The load fails to work.	Light-illumination is set incorrectly.	Adjust the setting of the load.
	The load is broken.	Change the load.
	The power is off.	Turn the power on.
The load works all the time.	There is a continuous signal in the region of the detection.	Check the settings of the detection area.
The load works when there is no motion signal detected.	The lamp isn't installed well so that sensor fails to detect reliable signals.	Re-adjust the installation place.
	Moving signal is detected by the sensor (movement behind the wall, the movement of small objects, etc.)	Check the settings of the detection area.
The load fails to work when there is motion signal detected.	The motion speed is too fast or the defined detection area is too small.	Check the settings of the detection area.



Warning! The following situations will lead to error reaction.

- 1、 Being installed on the rocking object will lead to error reaction.
- 2、 The shaking curtain blown by wind will lead to error reaction. Please select the suitable place to install.
- 3、 Being installed where the traffic is busy will lead to error reaction.
- 4、 The sparks produced by some equipment nearby will lead to error reaction.

- Please confirm with professional installation.
- For safety purposes, please cut off power before installation and removal operations.
- Any losses caused by improper operation, the manufacturer does not undertake any responsibility.