



## Signal Phase Part Turn Electric Motor Operated Valve Actuator

"AOX-Q" series motor valve actuator is a newly designed signal phase part turn electric motor operated valve actuator manufactured by AOX from China. "AOX-Q" series electric actuators are used to control valves with  $0^\circ \sim 270^\circ$  rotation and other similar products, such as butterfly valves, ball valves, dampers and baffle valves.

## Signal Phase Part Turn Electric Motor Operated Valve Actuator

### Summary

"AOX-Q" series motor valve actuator is a newly designed signal phase part turn electric motor operated valve actuator manufactured by AOX from China. "AOX-Q" series electric actuators are used to control valves with  $0^\circ \sim 270^\circ$  rotation and other similar products, such as butterfly valves, ball valves, dampers and baffle valves.

## Product Introduction of the signal phase part turn electric motor operated valve actuator

"AOX-Q" series signal phase part turn electric motor operated valve actuators are suitable for petroleum, chemical and other industries. The shell of "AOX-Q" series electric actuators is made of hard aluminum alloy, and the shell is anodized. The anti-corrosion layer of the shell is coated with polyester powder. The protection level reaches IP67, NEMA4 and nema6. The "AOX-Q" series electric actuator is also has limit switch and electronic double limit. The mechanical limit screw is adjustable, safe and reliable; The electric limit switch is controlled by the cam mechanism, and the simple adjustment mechanism can set the position accurately and

Zhejiang Aoxiang Auto-Control Technology CO.,Ltd

Tel: [+86-577-59890750](tel:+86-577-59890750)

Phone: [+86-18967766527](tel:+86-18967766527)

Fax: [+86-0577-65921296](tel:+86-0577-65921296)

E-mail: [zjaox@zjaox.com](mailto:zjaox@zjaox.com)



conveniently.



### Product Parameter ( Specification )of the signal phase part turn electric motor operated valve Actuator

|                 |   |
|-----------------|---|
| Switching time: | 22~185 S  |
| Working time:   | S1 long time standard for both On-off and modulating type; S2 standard, 30 min. |
| Display Mode:   | LCD, indication of opening(0-100%) and open/close fault                         |
| Control Mode:   | On-off signal control, Modulating (proportional                                 |

Zhejiang Aoxiang Auto-Control Technology CO.,Ltd

Tel: [+86-577-59890750](tel:+86-577-59890750)

Phone: [+86-18967766527](tel:+86-18967766527)

Fax: [+86-0577-65921296](tel:+86-0577-65921296)

E-mail: [zjaox@zjaox.com](mailto:zjaox@zjaox.com)



|   |  |                             |
|---|--|-----------------------------|
|   | regulation) control, Fieldbus Control etc.   |                             |
| Power:                                  | Standard:220VAC/1ph<br>Optional:110VAC/1ph, 380V/440V/3ph,50/60Hz, ±10%<br>24VDC/110VDC/220VDC |                             |
| Limit switch:                           | 2×Open/ Close, SPDT,250VAC 10A   |                             |
| Auxiliary limit switch:                 | 2×Open/ Close, SPDT,250VAC 10A   |                             |
| Torque switch:                          | Close/Open, each 1,<br>SPDT,250VAC 10A   | Except<br>AOX-Q-005/008/010 |
| Travel:                                 | 90°±10°  | 0°~270°                     |
| Fail safe/<br>Operating<br>temperature: | Internal-placed thermal protection, Open 120°C±5°C<br>/Close 97°C±5°C                          |                             |
| Self-locking device:                    | Self-locking by worm and worm gear   |                             |
| Mechanical limit:                       | 2 × external adjustable stopper  |                             |
| Space heater:                           | 30W(110V/220VAC)   |                             |
| Lubrication:                            | Grease moly (EP type)  |                             |
| Type of On-off<br>Signal:               | Contact signal. Pulse signal   |                             |
| Type of Modulating                      | 0-10V, 2-10V, 4-20mA, etc.   |                             |



|                              |                               |
|------------------------------|-------------------------------|
| Signal:                      |                               |
| Type of Field-bus<br>Signal: | Modbus-RTU, Profibus-DP, etc. |
| Local Controller:            | AOX remote control(Optional)  |

| Model     | Max Output Torque | 60/50Hz Operating Time | Max Drive Shaft Size | Rated Current (A) |              |           |           | Hand wheel Revolution | Weight |
|-----------|-------------------|------------------------|----------------------|-------------------|--------------|-----------|-----------|-----------------------|--------|
|           |                   |                        |                      | single phase      | three phases |           |           |                       |        |
|           | N·M               | 90°                    | mmW                  | 110V              | 220V         | 380V      | 440V      | N                     | Kg     |
| AOX-Q-005 | 50                | 18/22                  | Φ20                  | 1.10/0.95         | 0.55/0.54    | 0.3/0.3   | N/A       | 10                    | 7.5    |
| AOX-Q-008 | 80                | 18/22                  | Φ20                  | 1.10/0.95         | 0.55/0.54    | 0.3/0.3   | N/A       | 10                    | 7.5    |
| AOX-Q-010 | 100               | 18/22                  | Φ20                  | 1.10/0.95         | 0.55/0.54    | 0.3/0.3   | N/A       | 10                    | 7.5    |
| AOX-Q-150 | 150               | 21/25                  | Φ20                  | 1.65/1.40         | 0.88/0.80    | 0.31/0.30 | 0.30/0.30 | 11                    | 17.3   |

Zhejiang Aoxiang Auto-Control Technology CO.,Ltd

Tel:+86-577-59890750

Phone:+86-18967766527

Fax:+86-0577-65921296

E-mail:[zjaox@zjaox.com](mailto:zjaox@zjaox.com)



|            |      |        |         |     |           |           |           |           |      |      |
|------------|------|--------|---------|-----|-----------|-----------|-----------|-----------|------|------|
| 015        |      |        | 0       |     | 67        | 84        | 31        | 31        |      |      |
| AOX-Q-020  | 200  | 21/25  | Φ2<br>0 | 40  | 1.67/1.67 | 0.89/0.85 | 0.31/0.31 | 0.30/0.31 | 11   | 17.3 |
| AOX-Q-030  | 300  | 26/31  | Φ3<br>2 | 90  | 1.85/1.86 | 0.92/0.92 | 0.35/0.35 | 0.34/0.34 | 13.5 | 22   |
| AOX-Q-050  | 500  | 26/31  | Φ3<br>2 | 120 | 3.60/3.62 | 1.55/1.58 | 0.59/0.59 | 0.58/0.58 | 13.5 | 23   |
| AOX-Q-060  | 600  | 26/31  | Φ3<br>2 | 120 | 3.65/3.62 | 1.60/2.20 | 0.60/0.59 | 0.59/0.58 | 13.5 | 23   |
| AOX-Q-080  | 800  | 31/37  | Φ4<br>0 | 180 | 4.10/4.10 | 2.15/2.20 | 0.85/0.85 | 0.79/0.79 | 16.5 | 29   |
| AOX-Q-120  | 1200 | 31/37  | Φ4<br>0 | 180 | 4.20/4.10 | 2.35/2.30 | 0.87/0.87 | 0.81/0.81 | 16.5 | 29   |
| AOX-Q-150  | 1500 | 78/93  | Φ4<br>0 | 120 | 3.65/3.62 | 1.60/2.20 | 0.60/0.59 | 0.59/0.58 | 40.5 | 77   |
| AOX-Q-200  | 2000 | 93/112 | Φ4<br>0 | 180 | 4.10/4.10 | 2.15/2.20 | 0.85/0.85 | 0.79/0.79 | 49.5 | 83   |
| AOX-Q-300  | 3000 | 93/112 | Φ4<br>0 | 180 | 4.20/4.10 | 2.35/2.30 | 0.87/0.87 | 0.81/0.81 | 49.5 | 83   |
| AOX-Q-4000 | 4000 | 155/18 | Φ4      | 180 | 4.20/4.20 | 2.35/2.35 | 0.87/0.87 | 0.81/0.81 | 82.5 | 83   |



[www.aox-privod.com](http://www.aox-privod.com)

|            |  |        |    |     |         |         |         |         |      |    |
|------------|--|--------|----|-----|---------|---------|---------|---------|------|----|
| 400        |  | 5      | 0  |     | 10      | 30      | 87      | 81      |      |    |
| AOX-Q-5000 |  | 155/18 | Φ4 | 180 | 4.20/4. | 2.35/2. | 0.87/0. | 0.81/0. | 82.5 | 83 |
| 500        |  | 5      | 0  |     | 10      | 30      | 87      | 81      |      |    |
| AOX-Q-6000 |  | 155/18 | Φ4 | 180 | 4.20/4. | 2.35/2. | 0.87/0. | 0.81/0. | 82.5 | 83 |
| 600        |  | 5      | 0  |     | 10      | 30      | 87      | 81      |      |    |

## Product Feature And Application of the signal phase part turn electric motor operated valve actuator

Other electric actuators

AOX-R series

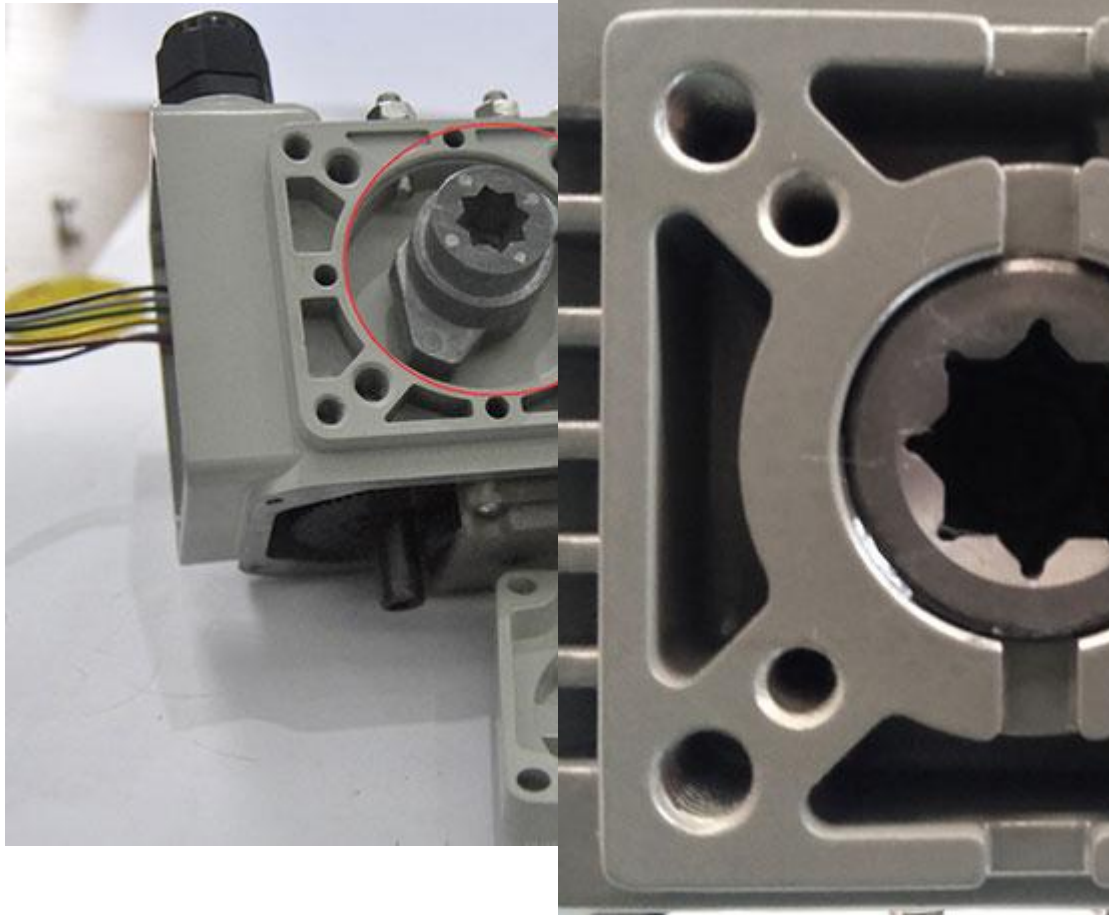
Zhejiang Aoxiang Auto-Control Technology CO.,Ltd

Tel: [+86-577-59890750](tel:+86-577-59890750)

Phone: [+86-18967766527](tel:+86-18967766527)

Fax: [+86-0577-65921296](tel:+86-0577-65921296)

E-mail: [zjaox@zjaox.com](mailto:zjaox@zjaox.com)



The strength and accuracy of the main shaft of other factories are not as high as ours. The reason is that the matching accuracy of the worm gear is low and the return difference is large. Moreover, their output shaft adopts a split design, which is not conducive to the accuracy and stability performance, and will bring trouble to the user during the use of the actuator. AOX series electric actuators have reliable and stable strength accuracy of the whole main shaft, high fitting accuracy of the worm gear and small return difference. The concentricity and rigidity of the overall

Zhejiang Aoxiang Auto-Control Technology CO.,Ltd

Tel: +86-577-59890750

Phone: +86-18967766527

Fax: +86-0577-65921296

E-mail: [zjaox@zjaox.com](mailto:zjaox@zjaox.com)

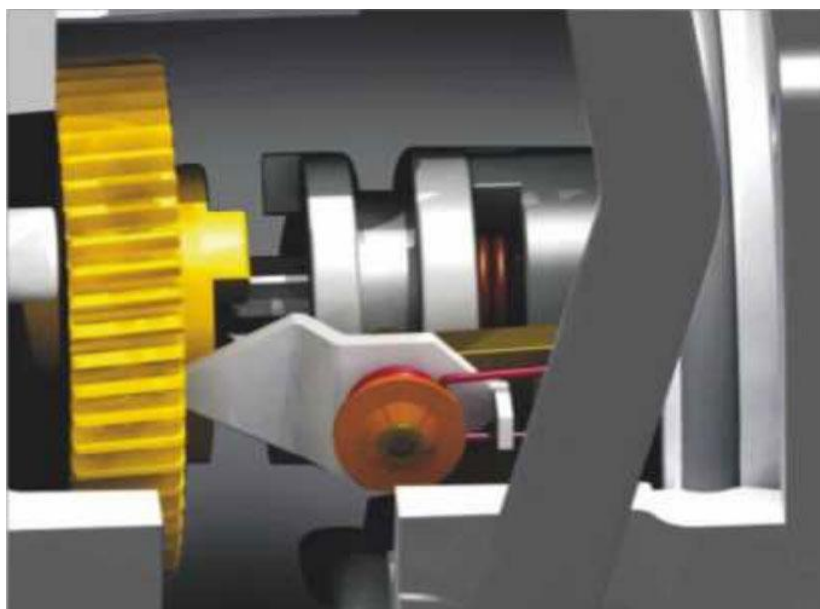


output shaft are connected with the main shaft.

## **Production details of the signal phase part turn electric motor operated valve actuator**

### **1.Manual operation (clutch system)**

Manual / automatic switch handle and hand wheel are used for manual operation. After power on, the handle will automatically reset and switch to automatic mode.



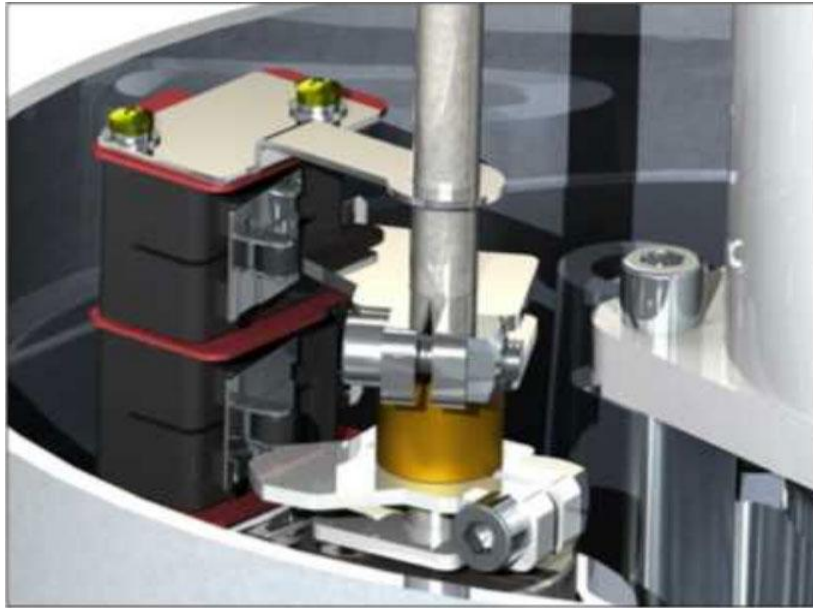
### **2.Cam and limit switch**

By two screws in The upper part is fastened and the setting is simple. Each cam can be set separately. Once the setting is completed, each cam will always remain at this position.





[www.aox-privod.com](http://www.aox-privod.com)



Zhejiang Aoxiang Auto-Control Technology CO.,Ltd

Tel: [+86-577-59890750](tel:+86-577-59890750)

Phone: [+86-18967766527](tel:+86-18967766527)

Fax: [+86-0577-65921296](tel:+86-0577-65921296)

E-mail: [zjaxox@zjaxox.com](mailto:zjaxox@zjaxox.com)