



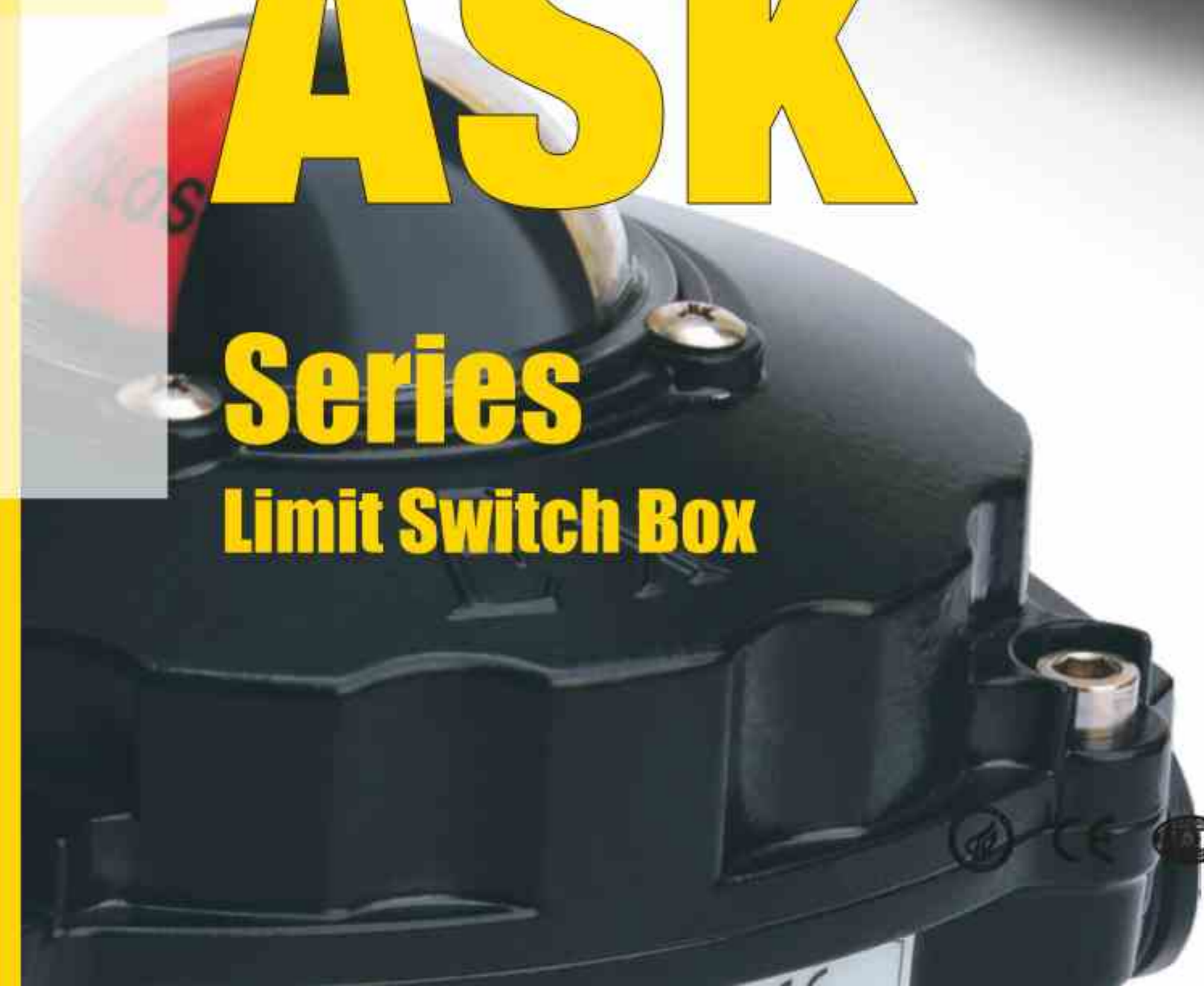
AOXIANG
ELECTRIC INTELLIGENT ACTUATOR
ELECTRIC VALVES



AOX	
MODEL	ASK-510N
RATINGS	16A 1/2HP 125/250VAC, 0.6A
ENCLOSURE	Exd II CT6

ASK

Series Limit Switch Box



ZHEJIANG AOXIANG AUTO-CONTROL TECHNOLOGY CO.,LTD

Add:No.2608 Development Zone Road, Economic Development Zone,
Ruian Zhejiang China 325200

Tel:+86-577-65151268

Email:zjaox@zjaox.com

Http://www.aoxactuator.com



ASK Series

1. Summary

ASK Series Limit Switch Box, transmit the actuator and valve position signal to the remote operation station on site. Mounted on the actuator directly, and the mounting bracket comply to NAMUR NORM standard.

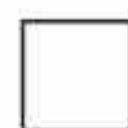
Hard aluminum alloy shell material, and the compact design of the limit switch box ensure to normal operation under extremely hard condition.

2. Technical Parameters

Item	Standard	Optional
Shell	Exd II CT6 Enclosure IP67 O ring sealing	IP68
External coating	Epoxy polyester	Nylon coating
Ambient temperature	-20°C~+80°C	-40°C~+100°C
Electric connection	2-NT3/4"	NPT3/4"
Wiring terminal	8 terminals	Wiring terminal
Position indicator	Hemisphere 0° ~90°	
Bracket	Standard ASK-01, ASK-02	3 way L-type, T-type
Switch sensor	2-SPDT mechanical switch	DPDT switch Proximity sensor(P&F, AUTONICS) Magnetic sensor Valve position transmittre

3. Definition of the model

ASK



2: Basic type(IP65)
3: Water-Proof(IP68)
4: Explosion-Proof(BT5)
5: Explosion-Proof(CT6)

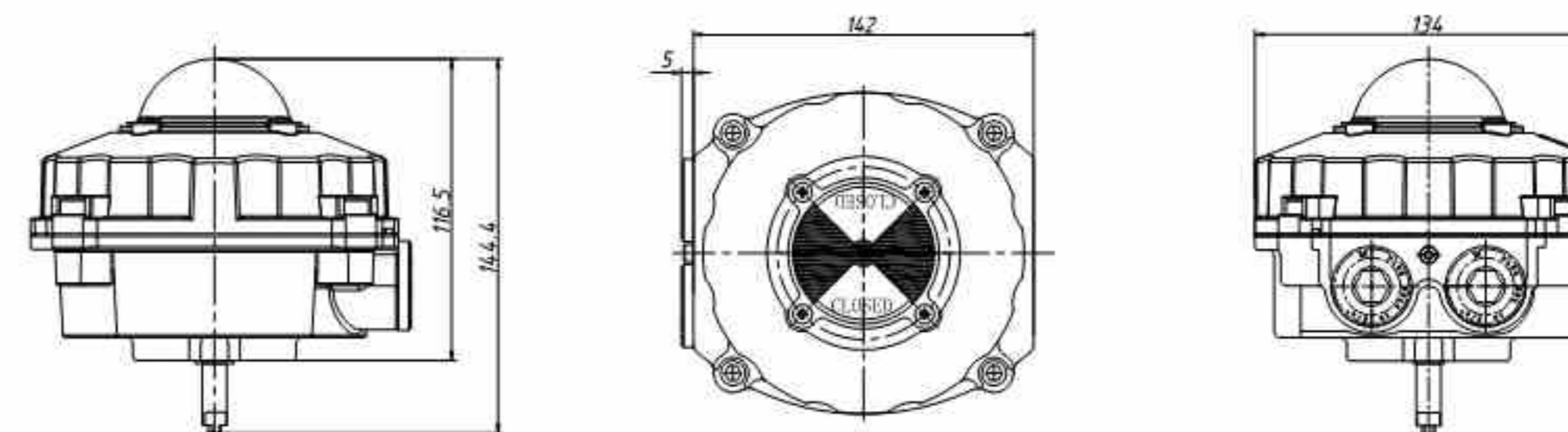


10: 2-SPDT
11: 4-SPDT
12: 2-SPDT+Potentiometer
13: 2-SPDT
14: 2-SPDT(Low-Temperature)
20: Reed Switch
30: Proximity Switch
31: NPN
32: PNP



Basic indicator

4. External Drawing



5. Feature

5.1 Cam setting

The cam setting is accurate and easy, without tooling.

Yellow cam is for open, red cam is for close.

5.2 Wiring terminal

Enough terminals for alternation.

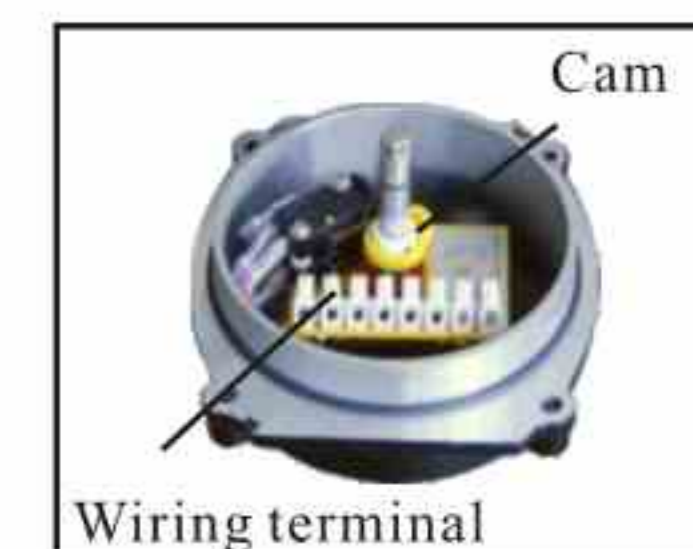
5.3 Visual position indicator

Indicator panel connect with shaft directly, to make the continuous position indication.

High-strength, anti-corrosion transparent polycarbonate material

High reliability.

Red for close indication, yellow for open indication.



6. Instructions

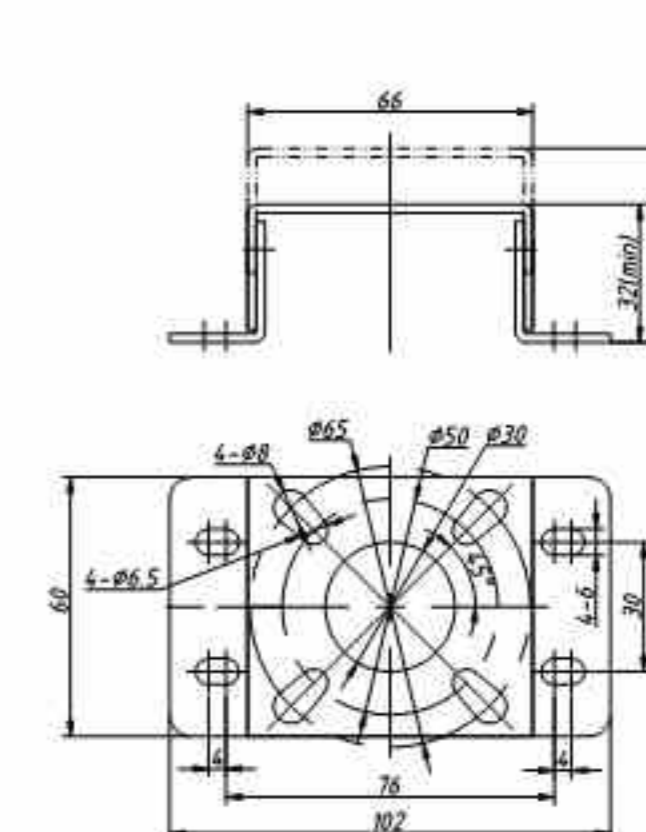
When you need to adjust the switch position, follow the steps below:

1. Push the cam spring to compress and the cam to disengage from the spline.
2. Rotate the cam to adjust the desired position. After adjusting, release the cam to confirm that the cam has been engaged by the spring return position.

7. Bracket



Standard ASK-01



Standard ASK-02

