



AOXIANG
ELECTRIC INTELLIGENT ACTUATOR
ELECTRIC VALVES



APL

Series Limit Switch Box

ZHEJIANG AOXIANG AUTO-CONTROL TECHNOLOGY CO.,LTD

Add:No.2608 Development Zone Road, Economic Development Zone,
Ruian Zhejiang China 325200

Tel:+86-577-65151268

Email:zjaox@zjaox.com

Http://www.aoxactuator.com



APL Series

1.Summary

APL-210N position limit switch is a signal device for the remote control of valve, show the working condition of valve by the switch, it contains mechanical switch and proximity switch, and widely applies to petroleum, chemical industry, pharmacy, food,electricity, coal gas, pro-environment, metallurgy and paper making etc.

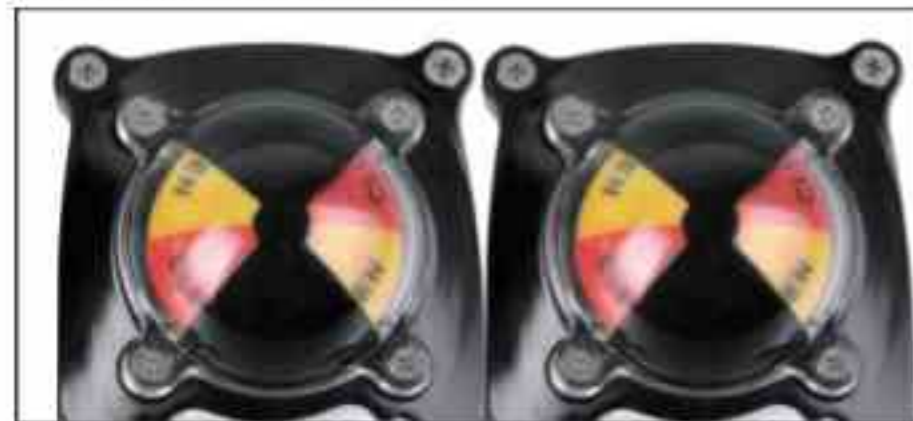
2. Technical Parameters

Parameter	Standard	Option	Material
Protection	IP67,NEMA4 an 4X	IP 68	Shell
Ambient	-20℃~80℃		Die-casting aluminum
Wiring	2xNPT1/2"	PT1/2"	Indicate cover
			Indicator
Terminal	8Points(0.08-2.6mm) ²		Cam
Position indicator	Close:red		Spring
	Open:yellow		Screw
Switch	Mechanical switch x2		O ring
	Proximity sensor x2		Washer
External painting	Polyester coating(gray)	Red, black	E ring
			Earth line
Axis	Standard axis(17mm)	Lengthen axis	Frame

3. Feature

- The switch is installed separately, convenient maintenance and replacement
- Firm and compact design,Die-casting aluminum
- Quick cam machine,Fix springs on the cam without tools
- NAMUR standard stainless steel and frame,Reasonable design for frame connecting hole, convenient installation

Position Indicator



Adjust the direction as required, there is O ring between indicator and upper cover, well protective performance.

Lead Joint

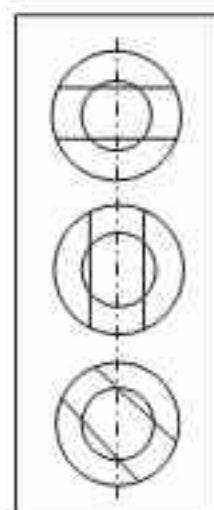


The inlet of thread is long and thick,firm connection.

Anti-off Bolt



Special design,the bolt will be not off if maintains of installs.



- 0° Closed or Open for rotary application
- 90° Open or Closed for rotary application
- 45° Open or Closed for linear application

Mechanical switch(2SPDT)APL-210N

IP67,IP68 is optional

Standard switch:SS5GL(Omron)

2SPDT standard (option:SPST-NC,SPST-NO)

Contactor:250V AC/3A,125V DC/5A

250V AC/0.2A, 125V DC/0.4A,30 DC/4A

SS10GL (Omron)

2SPDT switch:(option: SPST-NC, SPST-NO)

Contactor:250V AC/10.1A, 125V DC/10.1A

250V AC/0.2A, 125V DC/0.4A,30 DC/4A

Certificate: UL, CSA,SEMKO,SEV EN61058-1

Proximity switch APL-220NJ

Standard switch: NPN normally open

Proximity switch:NAMUR

Voltage: 6-36V DC

Distance: 2mm

Option: EMC to EN60947-5-2

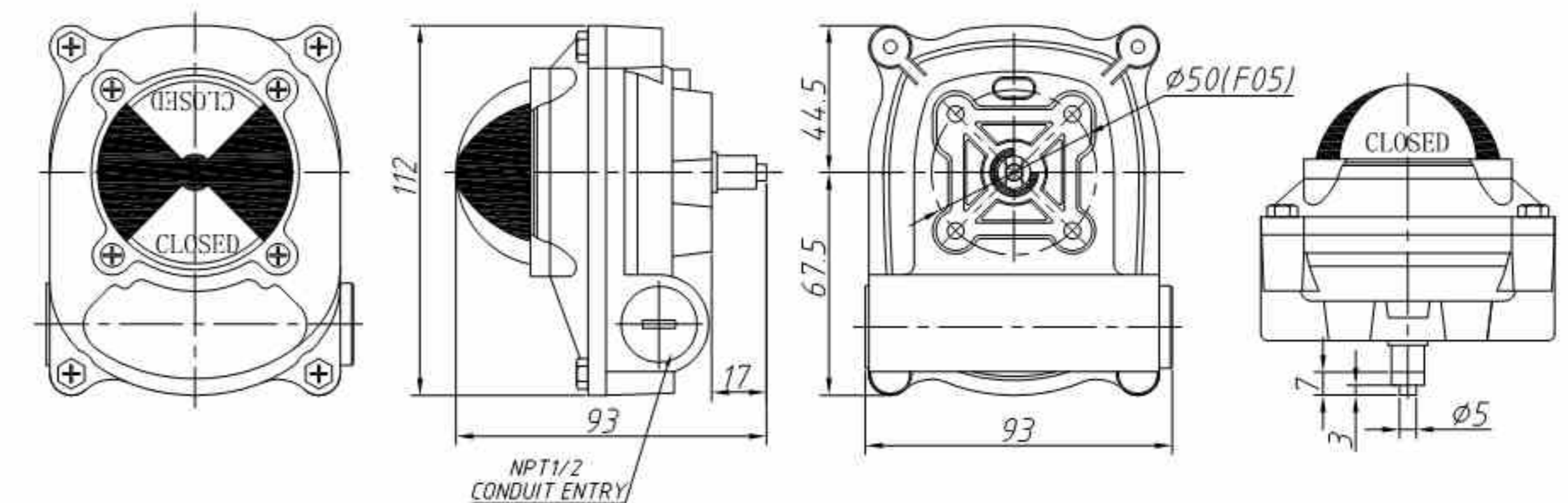
NBB2-V3-E2/E3(PNP):10-30V DC Distance:2mm

NBB2-V3-E0(NPN):10-30V DC Distance:2mm

NBB2-V3-Z4/Z5:5-60V DC Distance:3mm



4. Installation Dimension



Frame Standard

Model	Material	Dimension
MBP-200	Stainless steel	30x80 H30
MBP-300	Stainless steel	30x130 H30
MBP-400	Stainless steel	30x130 H50
MBP-500	WCB	30x80 Height adjustable (32mm-45mm)
MBP-600	WCB	30x130 Height adjustable (39mm-55mm)
MBP-700	WCB	30x80 Height adjustable (24mm-32mm)