



AOXIANG
ELECTRIC INTELLIGENT ACTUATOR
ELECTRIC VALVES



AOX-R Electric Actuator Series

OPTION SPECIFICATION

No.	Option scheme	Remark
1	Heater	AOX-R series
2	Water-proof actuator (IP68,10M,250HR)	AOX-R series
3	Potentiometer unit (1K-10K)	Except AOX-R-003
4	Proportion control unit (control signal 4-20mA DC/1-5V/1-10V)	AOX-R series
5	Travel 120°, 180°,270°	AOX-R series
6	Quick opening (2.8S, 5S, 10S, 15S)	AOX-R series



AOXIANG
ELECTRIC INTELLIGENT ACTUATOR
ELECTRIC VALVES



ZHEJIANG AOXIANG AUTO-CONTROL TECHNOLOGY CO.,LTD

Add:No.2608 Development Zone Road, Economic Development Zone,

Ruian Zhejiang China 325200

Tel:+86-577-65151268

Email:zjaox@zjaox.com

Http://www.aoxactuator.com

AOX-R Electric Actuator

Patented products,
Counterfeiting not allowed

© 2019 aox technology copyright Ecology protection

SUMMARY

"AOX-R" series electric actuator is used for controlling 0°~ 270° rotation valves and other similar products, such as butterfly valve, ball valve, damper, flapper valve, cock valve etc. It widely applies to petroleum, chemical, watertreatment, shipping, paper making, power plant, heating, light industry and other industries. Driven by 24VDC power, input 4- 20mA or 0-10VDC control signal, moves valve to the right position, and achieves to automatic control, the maximum output torque is 3000N·M.

PERFORMANCE PARAMETER

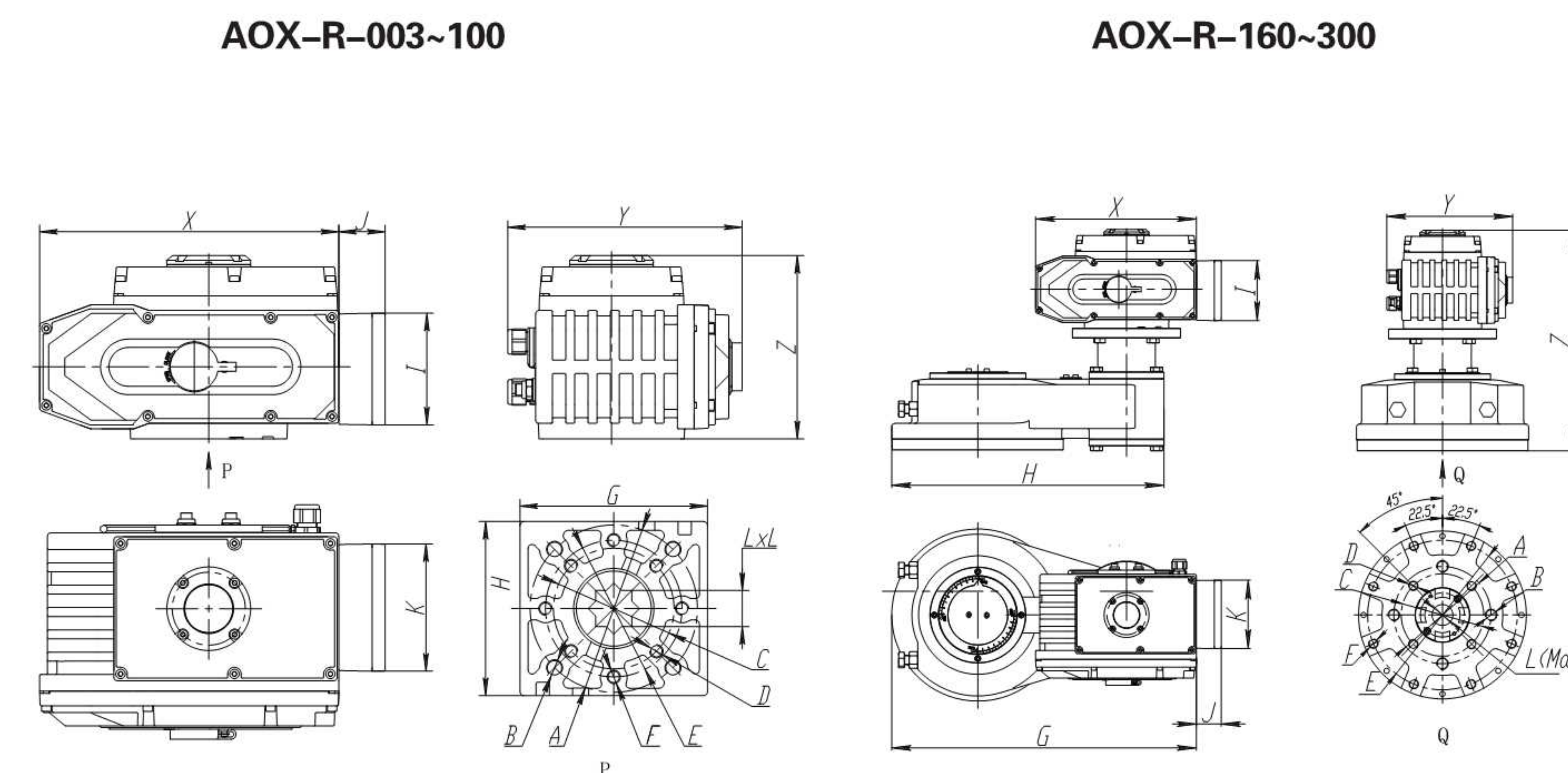
Model	Max output torque(N·M)	Operating time 90°(S)	Drive shaft(mm)		Power (W)	Rated current(A) 24VDC	Weight (KG)
			Square	Deep			
AOX-R-003	30	20	11x11	15.5	8	0.11	2.1
AOX-R-005	50	30	14x14	18	10	0.41	3.6
AOX-R-008	80	30	14x14	18	10	0.41	3.6
AOX-R-010	100	30	17x17	22.5	15	1.14	4.6
AOX-R-015	150	40	17x17	22.5	15	1.14	4.6
AOX-R-020	200	30	22x22	26	60	2.6	13
AOX-R-030	300	30	22x22	26	60	2.7	13.4
AOX-R-040	400	30	22x22	26	60	2.6	13.8
AOX-R-060	600	40	27x27	32.5	60	6.1	14
AOX-R-080	800	40	27x27	32.5	90	12.8	14.3
AOX-R-100	1000	40	27x27	32.5	90	12.8	14.5
AOX-R-160	1600	60	MaxΦ60	Max133	90	8.6	68
AOX-R-200	2000	60	MaxΦ60	Max133	90	8.6	68
AOX-R-300	3000	120	MaxΦ60	Max133	90	8.6	68

STANDARD TECHNICAL PARAMETER

Shell	Enclosure:IP67,IP68 is optional,NEMA4 and 6	
Power	Standard:24VDC	
Motor	Squirrel-cage asynchronous motor	
Limit switch	2×Open/ Close, SPDT,250VAC 10A	
Auxiliary limit switch	2×Open/ Close, SPDT,250VAC 10A	
Travel	90° ~ 270°±10°(Please specify in advance if over 90°)	0°~270°
Fail safe/ Operating temperature	Internal-placed thermal protection, Open 120°C ± 5°C/Close 97°C ± 5°C	
Indicator	Continuous situation indication	
Manul operation	Mechanical handle (Handwheel is optional)	
Self-locking device	Self-locking by worm and worm gear	
Mechanical Limit	2 x external adjustable stopper	
Space heater	30W (110/220VAC) Anti-condensation	
Conduit entries	2 Pieces M18*1.5 (AOX-R-003 except)	
Ambient temperature	-25°C ~ +70°C (-30°C、-40°C、-60°C optional)	
Lubrication	Grease moly (EP type)	
Material	Steel, Aluminum alloy, Aluminum bronze, Polycarbonate	
Ambient humidity	Max 90% RH	Non-Condensing
Anti-vibration	X Y Z 10g,0.2 ~ 34 Hz,30 minutes	
External coating	Dry powder, Epoxy polyester	

AOX-R Electric Actuator Series

GENERAL DRAWING



Model	X	Y	Z	A	B	C	D	E	F	G	H	I	J	K	L
AOX-R-003	123	121	112	Φ50	4-M6	Φ36	4-M5	Φ42	4-M5	50	50	73	40	74	11x11
AOX-R-005	162	147	122	Φ70	4-M8	Φ50	4-M6	/	/	66	66	114	42	100	14x14
AOX-R-008	162	147	122	Φ70	4-M8	Φ50	4-M6	/	/	66	66	114	42	100	14x14
AOX-R-010	189	163	128	Φ70	4-M8	Φ50	4-M6	/	/	100	88	114	42	100	17x17
AOX-R-015	189	163	128	Φ70	4-M8	Φ50	4-M6	/	/	100	88	114	42	100	17x17
AOX-R-020	268	210	164	Φ125	4-M12	Φ102	8-M10	Φ102	/	140	130	114	42	100	22x22
AOX-R-030	268	210	164	Φ125	4-M12	Φ102	8-M10	Φ102	/	140	130	114	42	100	22x22
AOX-R-040	268	210	164	Φ125	4-M12	Φ102	8-M10	Φ102	/	140	130	114	42	100	22x22
AOX-R-060	268	210	164	Φ125	4-M12	Φ102	8-M10	Φ102	/	140	130	114	42	100	27x27
AOX-R-080	268	210	164	Φ125	4-M12	Φ102	8-M10	Φ102	/	140	130	114	42	100	27x27
AOX-R-100	268	210	164	Φ125	4-M12	Φ102	8-M10	Φ102	/	140	130	114	42	100	27x27
AOX-R-160	268	210	383	Φ165	4-M20	Φ140	4-M16	Φ254	8-M16	507	452	100	42	114	Φ60 (Max)
AOX-R-200	268	210	383	Φ165	4-M20	Φ140	4-M16	Φ254	8-M16	507	452	100	42	114	Φ60 (Max)
AOX-R-300	268	210	383	Φ165	4-M20	Φ140	4-M16	Φ254	8-M16	507	452	100	42	114	Φ60 (Max)

Unit:mm