

AOX-R Electric Actuator Series

OPTION SPECIFICATION

No.	Option scheme	Remark
1	Heater	AOX-R series
2	Water-proof actuator (IP68,10M,250HR)	AOX-R series
3	Potentiometer unit (1K-10K)	Except AOX-R-003
4	Proportion control unit (control signal 4-20mA DC/1-5V/1-10V)	AOX-R series
5	Local control units (local control open/stop/close optional switch, local/remote switch)	Except AOX-R-003
6	Travel 120°, 180°, 270°	AOX-R series
7	Direct current motor (24VDC)	AOX-R series
8	Electric current position sensor (output 4-20mA DC)	Except AOX-R-003
9	Self-reset when power failure	AOX-R series
10	Quick opening (2.8S, 5S, 10S, 15S)	AOX-R series



SUMMARY

"AOX-R" series electric actuator is used for controlling 0°~ 270° rotation valves and other similar products, such as butterfly valve, ball valve, damper, flapper valve, cock valve etc. It widely applies to petroleum, chemical, watertreatment, shipping, paper making, power plant, heating, light industry and other industries. Drived by 380V/220V/110VAC or 24V/110VDC power, input 4- 20mA or 0-10VDC control signal, moves valve to the right position, and achieves to automatic control, the maximum output torque is 5000N·M.

PERFORMANCE PARAMETER

Model	Max output torque(N·M)	Operating time 90°(S)	Drive shaft(mm)		Power (W)	Rated current(A) 220VAC/1ph	Weight (kg)
			Square	Deep			
AOX-R-003	30	20	11x11	15.5	8	0.24	2.1
AOX-R-005	50	30	14x14	18	10	0.23	3.6
AOX-R-008	80	30	14x14	18	10	0.24	3.6
AOX-R-010	100	30	17x17	22.5	15	0.41	4.6
AOX-R-015	150	40	17x17	22.5	15	0.41	4.6
AOX-R-020	200	30	22x22	26	60	0.44	13
AOX-R-030	300	30	22x22	26	60	0.48	13.4
AOX-R-040	400	30	22x22	26	60	0.54	13.8
AOX-R-060	600	40	27x27	32.5	60	0.57	14
AOX-R-080	800	40	27x27	32.5	90	0.91	14.3
AOX-R-100	1000	40	27x27	32.5	90	1.18	14.5
AOX-R-160	1600	60	Max Φ 60	Max 133	90	1.08	68
AOX-R-200	2000	60	Max Φ 60	Max 133	90	1.30	68
AOX-R-300	3000	120	Max Φ 60	Max 133	90	1	68
AOX-R-400	4000	200	Max Φ 60	Max 133	90	0.93	68
AOX-R-500	5000	200	Max Φ 60	Max 133	90	1	68

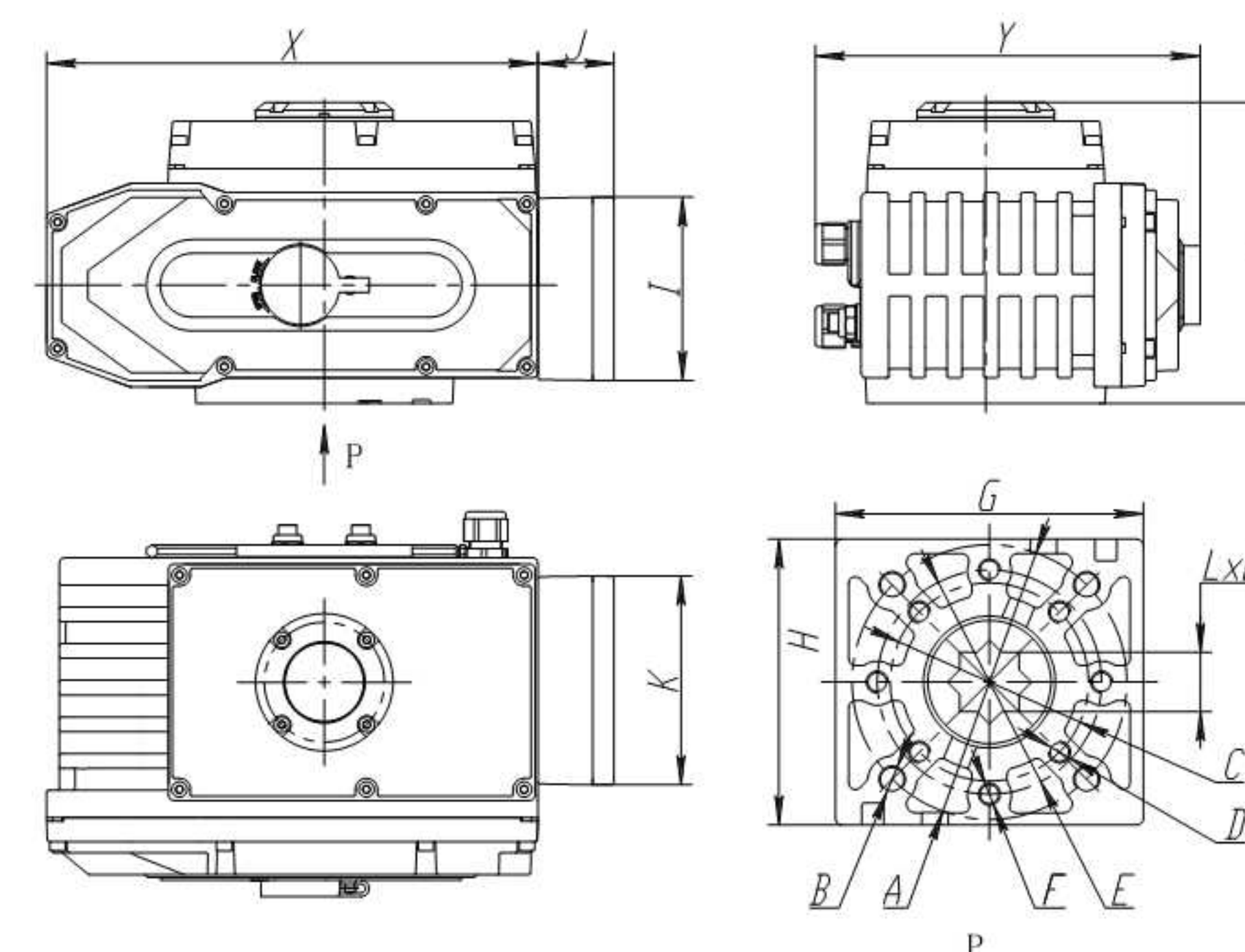
STANDARD TECHNICAL PARAMETER

Shell	Enclosure:IP67,IP68 is optional,NEMA4 and 6	
Power	Standard:220VAC/1ph Optional:110VAC/1ph, 380V/440V/3ph,50/60Hz, ± 10%, 24VDC/110VDC/220VDC	
Controlling power	110/220VAC/1ph, 50/60 Hz, ± 10%	
Motor	Squirrel-cage asynchronous motor	
Limit switch	2 × Open/ Close, SPDT,250VAC 10A	
Auxiliary limit switch	2 × Open/ Close, SPDT,250VAC 10A	
Travel	90° ~ 270° ± 10° (Please specify in advance if over 90°)	0°~270°
Fail safe/ Operating temperature	Internal-placed thermal protection, Open 120°C ± 5°C/Close 97°C ± 5°C	
Indicator	Continuous situation indication	
Manul operation	Mechanical handle (Handwheel is optional)	
Self-locking device	Self-locking by worm and worm gear	
Mechanical Limit	2 × external adjustable stopper	
Space heater	30W (110/220VAC Anti-condensation) optional	
Conduit entries	2 Pieces M20*1.5 (AOX-R-003 except)	
Ambient temperature	-25°C ~ +70°C (-30°C、-40°C、-60°C optional)	
Lubrication	Grease moly (EP type)	
Material	Steel, Aluminum alloy, Aluminum bronze, Polycarbonate	
Ambient humidity	Max 90% RH	Non-Condensing
Anti-vibration	X Y Z 10g,0.2 ~ 34 Hz,30 minutes	
External coating	Dry powder, Epoxy polyester	

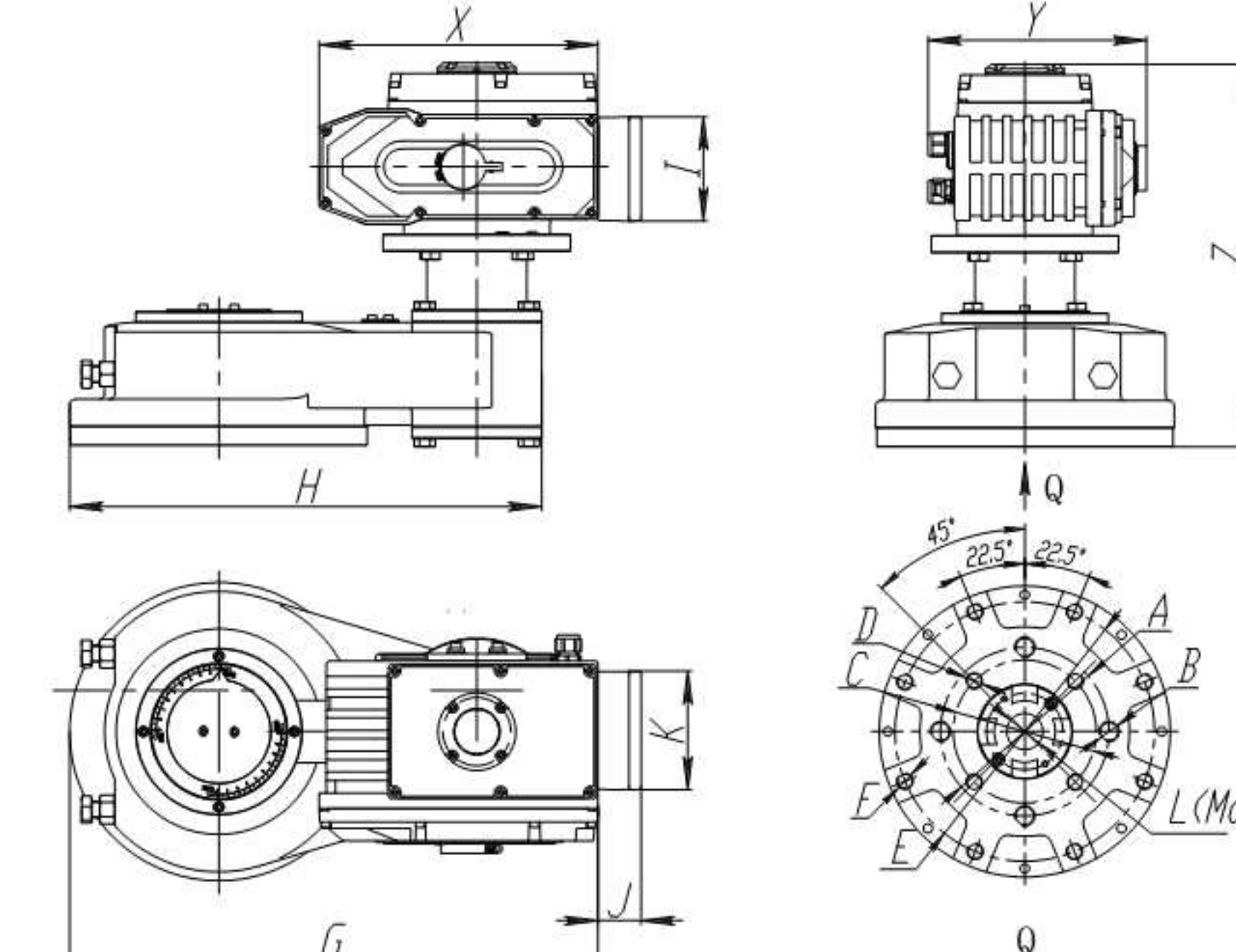
AOX-R Electric Actuator Series

GENERAL DRAWING

AOX-R-003~100



AOX-R-160~500



Unit:mm

Model	X	Y	Z	A	B	C	D	E	F	G	H	I	J	K	L
AOX-R-003	123	121	112	Φ 50	4-M6	Φ 36	4-M5	Φ 42	4-M5	50	50	73	40	74	11x11
AOX-R-005	162	147	122	Φ 70	4-M8	Φ 50	4-M6	/	/	66	66	114	42	100	14x14
AOX-R-008	162	147	122	Φ 70	4-M8	Φ 50	4-M6	/	/	66	66	114	42	100	14x14
AOX-R-010	189	163	128	Φ 70	4-M8	Φ 50	4-M6	/	/	100	88	114	42	100	17x17
AOX-R-015	189	163	128	Φ 70	4-M8	Φ 50	4-M6	/	/	100	88	114	42	100	17x17
AOX-R-020	268	210	164	Φ 125	4-M12	Φ 102	8-M10	Φ 102	/	140	130	114	42	100	22x22
AOX-R-030	268	210	164	Φ 125	4-M12	Φ 102	8-M10	Φ 102	/	140	130	114	42	100	22x22
AOX-R-040	268	210	164	Φ 125	4-M12	Φ 102	8-M10	Φ 102	/	140	130	114	42	100	22x22
AOX-R-060	268	210	164	Φ 125	4-M12	Φ 102	8-M10	Φ 102	/	140	130	114	42	100	27x27
AOX-R-080	268	210	164	Φ 125	4-M12	Φ 102	8-M10	Φ 102	/	140	130	114	42	100	27x27
AOX-R-100	268	210	164	Φ 125	4-M12	Φ 102	8-M10	Φ 102	/	140	130	114	42	100	27x27
AOX-R-160	268	210	383	Φ 165	4-M20	Φ 140	4-M16	Φ 254	8-M16	507	452	100	42	114	Φ 60 (Max)
AOX-R-200	268	210	383	Φ 165	4-M20	Φ 140	4-M16	Φ 254	8-M16	507	452	100	42	114	Φ 60 (Max)
AOX-R-300	268	210	383	Φ 165	4-M20	Φ 140	4-M16	Φ 254	8-M16	507	452	100	42	114	Φ 60 (Max)
AOX-R-400	268	210	383	Φ 165	4-M20	Φ 140	4-M16	Φ 254	8-M16	507	452	100	42	114	Φ 60 (Max)
AOX-R-500	268	210	383	Φ 165	4-M20	Φ 140	4-M16	Φ 254	8-M16	507	452	100	42	114	Φ 60 (Max)