

AOX-Q-L Electric Actuator Series

EXPLOSION-PROOF SERIES

OPTION SPECIFICATION

| No. | Option scheme | Remark |
|-----|---|---------------------------|
| 1 | Explosion-proof actuator (Exd II CT5) | AOX-Q-L series |
| 2 | Potentiometer unit (1K-10K) | AOX-Q-L series |
| 3 | Proportion control unit (control signal 4-20mA) | AOX-Q-L series |
| 4 | Local control units (local control open/stop/close optional switch) | AOX-Q-L series |
| 5 | Water-proof actuator (IP68,10M,250HR) | AOX-QL series |
| 6 | Direct current motor (24VDC) | AOX-Q-L series |
| 7 | Torque switch (SPDT×2 250VAC 10A) | Except AOX-Q-L20/30/50/80 |
| 8 | Electric current position sensor (output 4-20mA DC) | AOX-Q-L series |
| 9 | Reverse electromagnetic control and transmission integration electrical machinery starter | AOX-Q-L series |
| 10 | High temperature resistance actuator (-10℃ ~ +100℃) | AOX-Q-L series |
| 11 | Low temperature resistance actuator (-60℃ ~ +30℃) | AOX-Q-L series |
| 12 | Low speed actuator | AOX-Q-L series |
| 13 | Bus Control Unit | AOX-Q-L series |



SUMMARY

"AOX-Q-L" series linear electric actuator has the characteristics of small size, light weight, powerful function, intelligent setting and easy to operate. The max stroke length is 1m, the max thrust up to 30000N, it can be widely applied to linear movement of the valve switch and adjustment control. (AOX-Q-L series product have got CE and explosion-proof certificate)

PERFORMANCE PARAMETER

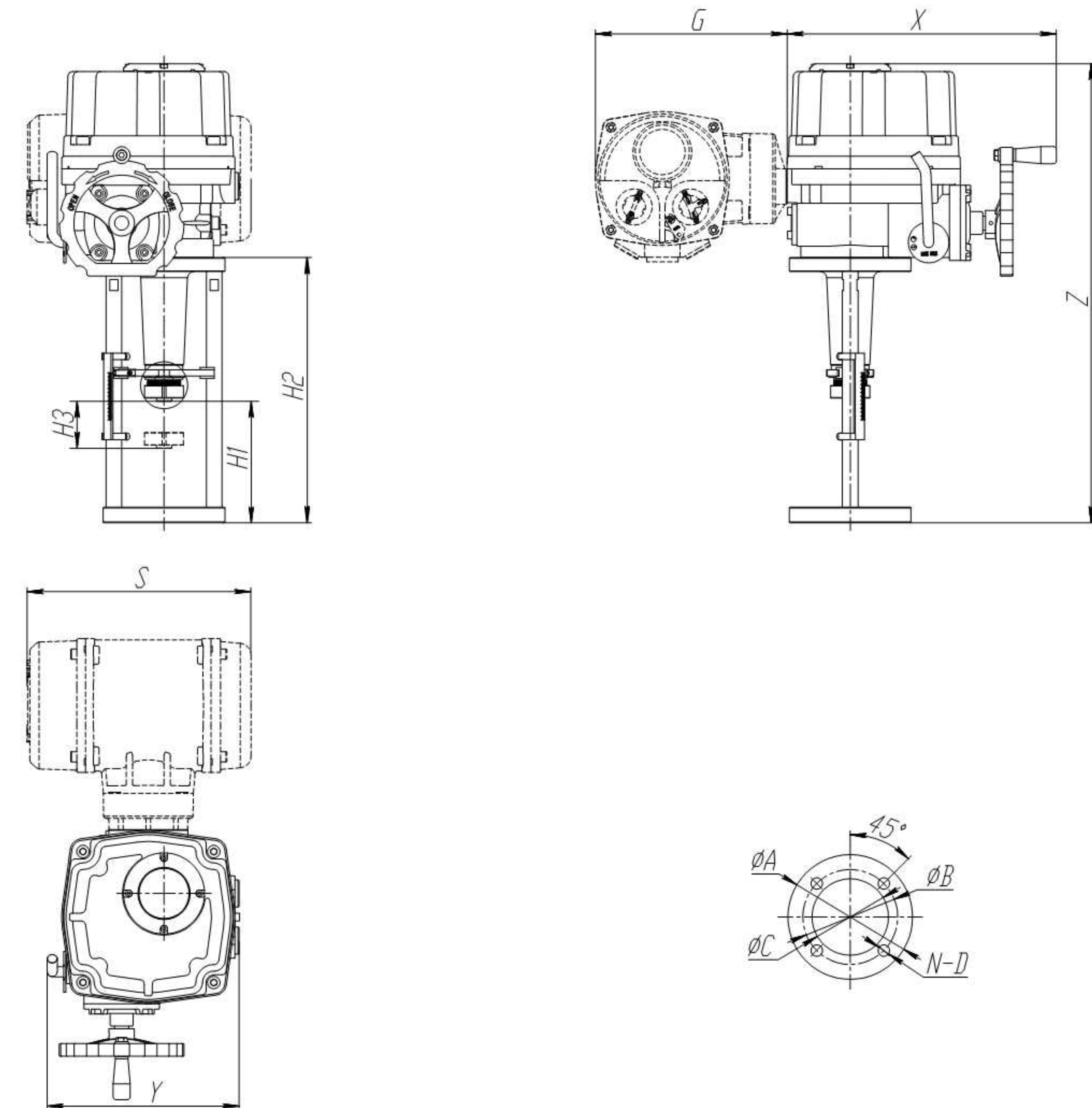
| Model | Force N | Speed mm/s | Max Stroke Length mm | Power w | Rated Current (A) | | | | Weight KG |
|------------|------------|---------------|-------------------------|------------|---------------------|------|--------------|------|--------------|
| | | | | | Single phase | | Three phases | | |
| | | | | | 110V | 220V | 380V | 440V | |
| AOX-Q-L20 | 2000 | 0.66 | 60 | 20 | 0.95 | 0.61 | 0.32 | N/A | 18 |
| AOX-Q-L30 | 3000 | 0.66 | 60 | 20 | 0.95 | 0.61 | 0.32 | N/A | 18 |
| AOX-Q-L50 | 5000 | 0.66 | 60 | 20 | 0.95 | 0.61 | 0.32 | N/A | 18 |
| AOX-Q-L80 | 8000 | 0.33 | 60 | 20 | 0.95 | 0.61 | 0.32 | N/A | 18 |
| AOX-Q-L100 | 10000 | 0.50 | 60 | 40 | 1.67 | 0.81 | 0.32 | 0.31 | 30 |
| AOX-Q-L160 | 16000 | 0.50 | 60 | 40 | 1.67 | 0.87 | 0.31 | 0.31 | 32 |
| AOX-Q-L200 | 20000 | 0.50 | 100 | 90 | 1.86 | 1.29 | 0.35 | 0.34 | 33 |
| AOX-Q-L250 | 25000 | 0.50 | 100 | 120 | 3.62 | 1.95 | 0.59 | 0.58 | 34 |
| AOX-Q-L300 | 30000 | 0.50 | 100 | 120 | 3.62 | 1.95 | 0.59 | 0.59 | 35 |
| AOX-Q-L350 | 35000 | 0.44 | 100 | 180 | / | 1.50 | 0.85 | 0.86 | 38 |
| AOX-Q-L400 | 40000 | 0.44 | 100 | 180 | / | 1.62 | 0.87 | 0.88 | 38 |

TECHNICAL PARAMETER

| | | |
|------------------------|--|----------------|
| Shell | Enclosure :IP67, IP68 is optional, NEMA4 and 6 | |
| Power | Standard: 220VAC/110VAC/1ph Optional: 380V/440VAC/3ph | |
| Control Power | 220V AC 1Phase, 50/60 Hz, ±10% | |
| Control Signal | Input and output: 4-20mA/1-5VDC/0-10VDC | |
| Motor | Asynchronous motor | |
| Limit switch | 2×Open/ Close, SPDT, 250VAC 10A | |
| Auxiliary limit switch | 2×Open/ Close, SPDT, 250VAC 10A | |
| Fail safe | Internal-placed thermal protection, Open 120°C ±5°C/Close 97°C ± 5°C | |
| Operating temperature | | |
| Indicator | Continuous position indicator | |
| Manual operate | Declutching mechanism | |
| Self-locking device | Self-locking by worm and worm gear | |
| Space heater | 30W(110V/220VAC) | |
| Conduit entry | 2×NPT 3/4", 1×NPT 1" | |
| Ambient temperature | -25°C ~ +70°C (-30°C, -40°C, -60°C optional) | |
| Lubrication | Grease moly (EP type) | |
| Material | Steel, Aluminium alloy, Aluminium bronze, Polycarbonate | |
| Ambient humidity | Max 90% RH | Non-Condensing |
| Anti-vibration | X Y Z 10g, 0.2 ~ 34 Hz, 30 minutes | |

AOX-Q-L Electric Actuator Series

GENERAL DRAWING



Unit: mm

| Model | X | Y | Z | G | S | H1 | H2 | H3 | φA | φB | φC | N-D |
|------------|-----|-----|-----|-----|-----|-----|-----|-----|------|------|------|---------|
| AOX-Q-L20 | 254 | 175 | 490 | 244 | 286 | 120 | 255 | 60 | φ138 | φ102 | φ60 | 4-φ12 |
| AOX-Q-L30 | 254 | 175 | 490 | 244 | 286 | 120 | 255 | 60 | φ138 | φ102 | φ60 | 4-φ12 |
| AOX-Q-L50 | 254 | 175 | 490 | 244 | 286 | 120 | 255 | 60 | φ138 | φ102 | φ60 | 4-φ12 |
| AOX-Q-L80 | 254 | 175 | 490 | 244 | 286 | 120 | 255 | 60 | φ138 | φ102 | φ60 | 4-φ12 |
| AOX-Q-L100 | 343 | 244 | 585 | 244 | 286 | 155 | 320 | 60 | φ155 | φ118 | φ95 | 4-φ14.5 |
| AOX-Q-L160 | 343 | 244 | 585 | 244 | 286 | 155 | 320 | 60 | φ155 | φ118 | φ95 | 4-φ14.5 |
| AOX-Q-L200 | 358 | 266 | 657 | 244 | 286 | 170 | 372 | 100 | φ215 | φ118 | φ95 | 4-φ14.5 |
| AOX-Q-L250 | 358 | 266 | 657 | 244 | 286 | 170 | 372 | 100 | φ215 | φ118 | φ95 | 4-φ14.5 |
| AOX-Q-L300 | 358 | 266 | 657 | 244 | 286 | 170 | 372 | 100 | φ215 | φ118 | φ95 | 4-φ14.5 |
| AOX-Q-L350 | 402 | 291 | 740 | 244 | 286 | 230 | 420 | 100 | φ230 | φ130 | φ100 | 4-φ18 |
| AOX-Q-L400 | 402 | 291 | 740 | 244 | 286 | 230 | 420 | 100 | φ230 | φ130 | φ100 | 4-φ18 |