

AOX-Q Electric Actuator Series

EXPLOSION-PROOF SERIES

OPTION SPECIFICATION

No.	Option scheme	Remark
1	Explosion-proof actuator (Exd II CT5)	AOX-Q series
2	Potentiometer unit (1K-10K)	AOX-Q series
3	Proportion control unit (control signal 4-20mA)	AOX-Q series
4	Local control units (local control open/stop/close optional switch)	AOX-Q series
5	Water-proof actuator (IP68,10M,250HR)	AOX-Q series
6	Direct current motor (24VDC)	AOX-Q series
7	Torque switch (SPDT×2 250VAC 10A)	Except AOX-Q-005/008/010
8	Electric current position sensor (output 4-20mA DC)	AOX-Q series
9	Reverse electromagnetic control and transmission integration electrical machinery starter	AOX-Q series
10	High temperature resistance actuator (-10℃ ~ +100℃)	AOX-Q series
11	Low temperature resistance actuator (-60℃ ~ +30℃)	AOX-Q series
12	Low speed actuator	AOX-Q series
13	Travel 120° ,180° ,270°	AOX-Q series



ZHEJIANG AOXIANG AUTO-CONTROL TECHNOLOGY CO.,LTD

Add:No.2608 Development Zone Road, Economic Development Zone,

Ruian Zhejiang China 325200

Tel:+86-577-65151268

Email:zjaox@zjaox.com

Http://www.aoxactuator.com

AOX-Q Electric Actuator
Patented products,
Counterfeiting not allowed

© 2021 aox technology copyright Ecology protection

SUMMARY

"AOX-Q" series electric actuator is used for controlling 0°~270° rotation of the valves and other similar products, such as butterfly valve, ball valve, damper, flapper valve, cock valve etc. It widely applies to petroleum, chemical, water treatment, shipping, paper making, power plant, heating, light industry and other industries. Driven by 380V/220V/110VAC power or 24V/110VDC power, inputs 4-20mA or 0-10VDC control signal, moves valve to the right position, and achieves to automatic control, maximum output torque is 6000N·M.

PERFORMANCE PARAMETER

Model	Max Output Torque	Operating Time 50Hz	Max Drive Shaft Size	Power	Rated Current(A)				No of handle turn	Flange	Weight
					Single Phase		Three Phases				
	N·M	90°(S)	mm	W	110V	220V	380V	440V	N	ISO5211	(kg)
AOX-Q-005	50	22	Φ20	20	0.95	0.55	0.32	N/A	10	F07	7.5
AOX-Q-008	80	22	Φ20	20	0.95	0.61	0.32	N/A	10	F07	7.5
AOX-Q-010	100	22	Φ20	20	0.95	0.61	0.27	N/A	10	F07	7.5
AOX-Q-015	150	25	Φ20	40	1.67	0.85	0.32	0.31	11	F07/F10	17.3
AOX-Q-020	200	25	Φ20	40	1.67	0.87	0.33	0.31	11	F07/F10	17.3
AOX-Q-030	300	31	Φ32	90	1.86	1.29	0.34	0.34	13.5	F10/F12	22
AOX-Q-050	500	31	Φ32	120	3.62	1.83	0.59	0.58	13.5	F10/F12	23
AOX-Q-060	600	31	Φ32	120	3.62	1.95	0.58	0.58	13.5	F10/F12	23
AOX-Q-080	800	37	Φ40	180	4.10	1.89	0.90	0.79	16.5	F12/F14	29
AOX-Q-120	1200	37	Φ40	180	4.10	2.31	0.87	0.81	16.5	F12/F14	29
AOX-Q-150	1500	93	Φ60	120	3.62	1.95	0.59	0.58	40.5	F14/F16	77
AOX-Q-200	2000	112	Φ60	180	4.10	1.71	0.85	0.79	49.5	F14/F16	83
AOX-Q-300	3000	112	Φ60	180	4.10	2.15	0.87	0.81	49.5	F14/F16	83
AOX-Q-400	4000	185	Φ60	180	4.10	1.80	0.87	0.81	82.5	F14/F16	83
AOX-Q-500	5000	185	Φ60	180	4.10	2.16	0.87	0.81	82.5	F14/F16	83
AOX-Q-600	6000	185	Φ60	180	4.10	2.31	0.87	0.81	82.5	F14/F16	83

TECHNICAL PARAMETER

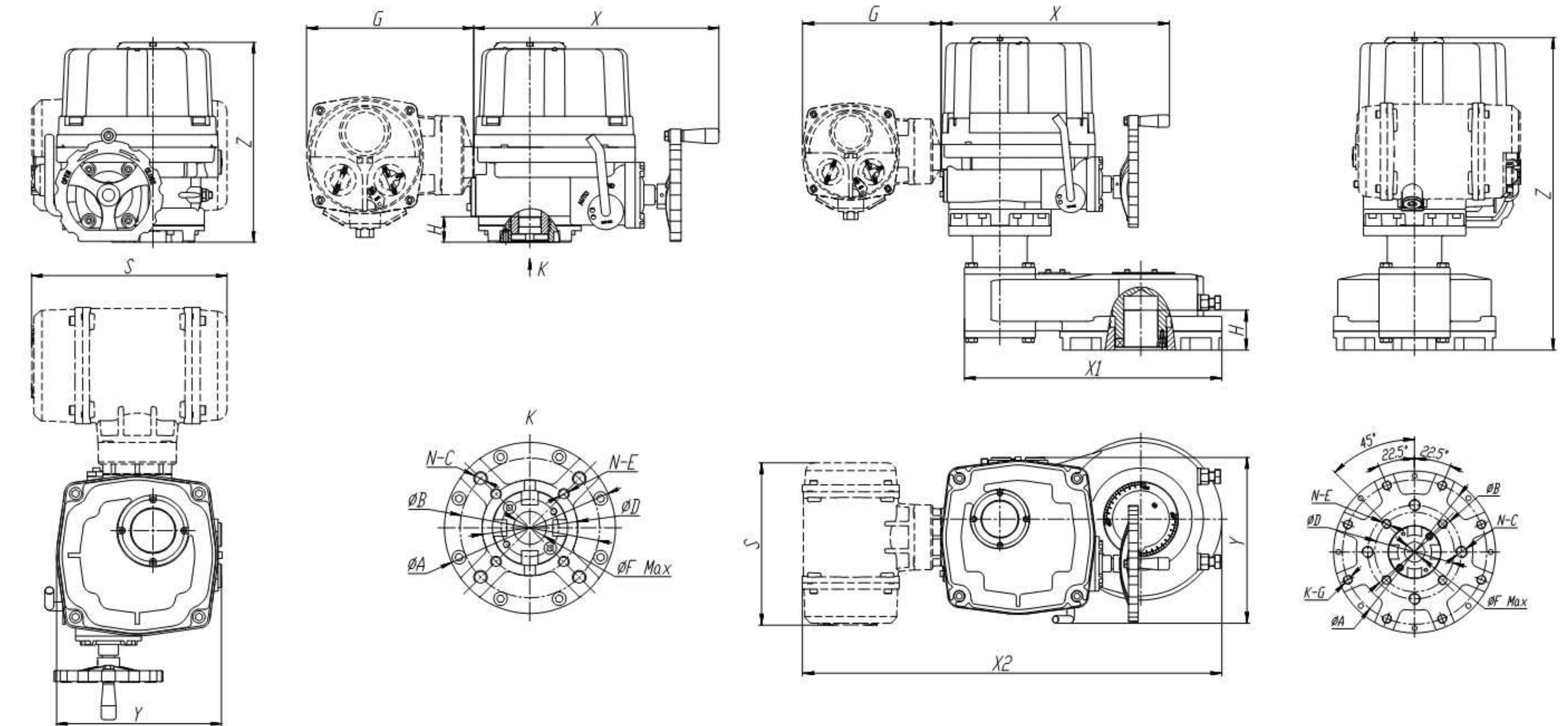
Shell	Enclosure :IP67,IP68 is optional,NEMA4 and 6	
Power	Standard:220VAC/1ph Optional:110VAC/1ph, 380V/440V/3ph,50/60HZ, ±10% 24VDC/110VDC/220VDC	
Motor	Asynchronous motor	
Limit switch	2×Open/ Close, SPDT,250VAC 10A	
Auxiliary limit switch	2×Open/ Close, SPDT,250VAC 10A	
Torque switch	Close/Open, each 1, SPDT,250VAC 10A	Except AOX-Q-005/008/010
Travel	90°±10°	0°~270°
Fail safe / Operating temperature	Internal-placed thermal protection, Open 120°C±5°C/Close97°C±5°C	
Indicator	Continuous position indicator	
Manual operate	Declutching mechanism, operate by handwheel	
Self-locking device	Self-locking by worm and worm gear	
Mechanical limit	2 × external adjustable stopper	
Space heater	30 W(110V/220VAC)	
Conduit entry	2×NPT 3/4", 1× NPT 1"	
Ambient temperature	-25°C~+70°C (-30°C、-40°C、-60°C optional)	
Lubrication	Grease moly(EP type)	
Material	Steel, Aluminium alloy, Aluminium bronze,Polycarbonate	
Ambient humidity	Max 90% RH	Non-Condensing
Anti-vibration	X Y Z 10g,0.2~34 Hz,30 minutes	
External coating	Dry powder, Epoxy polyester,high anti-corrosion	

AOX-Q Electric Actuator Series

GENERAL DRAWING

AOX-Q-005~120

AOX-Q-150~600



Unit: mm

Model	X	Y	Z	ΦA	K-G	ΦB	N-C	ΦD	N-E	F	G	H	S	X1	X2
AOX-Q-005	254	175	235	Φ90	—	Φ70	4-M8	—	—	Φ20	244	60	286	—	—
AOX-Q-008	254	175	235	Φ90	—	Φ70	4-M8	—	—	Φ20	244	60	286	—	—
AOX-Q-010	254	175	235	Φ90	—	Φ70	4-M8	—	—	Φ20	244	60	286	—	—
AOX-Q-015	343	244	271	Φ125	—	Φ102	4-M10	Φ70	4-M8	Φ20	244	50	286	—	—
AOX-Q-020	343	245	271	Φ125	—	Φ102	4-M10	Φ70	4-M8	Φ20	244	50	286	—	—
AOX-Q-030	358	258	292	Φ150	—	Φ125	4-M12	Φ102	4-M10	Φ32	244	67	286	—	—
AOX-Q-050	358	258	292	Φ150	—	Φ125	4-M12	Φ102	4-M10	Φ32	244	67	286	—	—
AOX-Q-060	358	258	292	Φ150	—	Φ125	4-M12	Φ102	4-M10	Φ32	244	67	286	—	—
AOX-Q-080	402	291	331	Φ180	—	Φ140	4-M16	Φ125	4-M12	Φ40	244	72	286	—	—
AOX-Q-120	402	291	331	Φ180	—	Φ140	4-M16	Φ125	4-M12	Φ40	244	72	286	—	—
AOX-Q-150	358	258	511	Φ254	8-M16	Φ165	4-M20	Φ140	4-M16	Φ60	244	133	286	453	717
AOX-Q-200	402	291	550	Φ254	8-M16	Φ165	4-M20	Φ140	4-M16	Φ60	244	133	286	453	738
AOX-Q-300	402	291	550	Φ254	8-M16	Φ165	4-M20	Φ140	4-M16	Φ60	244	133	286	453	738
AOX-Q-400	402	291	550	Φ254	8-M16	Φ165	4-M20	Φ140	4-M16	Φ60	244	133	286	453	738
AOX-Q-500	402	291	550	Φ254	8-M16	Φ165	4-M20	Φ140	4-M16	Φ60	244	133	286	453	738
AOX-Q-600	402	291	550	Φ254	8-M16	Φ165	4-M20	Φ140	4-M16	Φ60	244	133	286	453	738