

# AOX-M Electric Actuator Series

## Intelligent Electric Actuator

### OPTION SPECIFICATION

No.	Option scheme	Remark
1	Explosion-proof actuator ( Exd II CT4 )	AOX-M Series
2	Water-proof actuator (IP68,10M,250HR)	AOX-M Series
3	Potentiometer unit ( 1K-10K )	AOX-M Series
4	Proportion control unit (control signal 4-20mA )	AOX-M Series
5	Local control units (local control open/stop/close optional switch, local/remote switch)	AOX-M Series
6	High temperature resistance actuator (-10℃ ~ +100℃)	AOX-M Series
7	Low temperature resistance actuator (-60℃ ~ +30℃)	AOX-M Series
8	Special output drive	AOX-M Series
9	Bus Control Unit	AOX-M Series





## SUMMARY

"AOX-M" series intelligent multi-turn actuator is applied in controlling various valves and other similar products, include butterfly valve, ball valve, gate valve, control valve and etc. It is widely applied in petroleum, chemical, water treatment, shipping, paper making, power plants, heating, building automation and other industries. AOX-M series multi-turn actuator combine the characteristic of intelligent and reliable, and expand richer application based on basic modular product, it can meet various kinds of working condition. There are different "AOX-M" valve gear boxes can be configured which greatly expanded the torque range or turn the multi-turn actuator into quarter-turn actuator, linear actuator to meet the different requirements. (AOX-M series products have got CE certificate)

## PERFORMANCE PARAMETER

Model	Output torque	Speed	Max shaft diameter	Power	Rated current ( A ) 50HZ	Flange	Weight
	N · M	RPM	MM	W	AC380V	ISO5210	Kg
AOX-M-007	70	45	Φ28	400	2.42	F10	32
	70	90		400	2.95		
AOX-M-010	120	35	Φ28	600	2.25	F10	38
	120	70		600	3.18		
	120	105		800	5.15		
AOX-M-020	300	34	Φ40	1100	4.50	F14	68
	300	67		1100	6.85		
AOX-M-050	450	34	Φ40	1100	9.58	F14	70
	450	67		1500	14.80		
AOX-M-060	600	34	Φ55	3000	10.89	F16	103
	600	67		4000	16.50		
AOX-M-080	800	34	Φ55	3000	12.43	F16	103
	800	67		4000	23.50		
AOX-M-100	1000	34	Φ55	4000	30.20	F16	103

## TECHNICAL PARAMETER

Shell	Enclosure :IP67,IP68 is optional,NEMA4, NEM A6	
Power	Standard:380V AC/3ph Optional:110/220V AC/1ph,440V AC/3ph, 50/60Hz, ±10%	
Motor	Asynchronous motor	
Limit switch	1×Open/ Close, SPDT,250V AC 10A (on/off model)	
Auxiliary limit switch	1×Open/ Close, SPDT,250V AC 10A (on/off model)	
Torque switch	1×Open/ Close, SPDT,250V AC 10A	
Operating temperature	Internal-placed thermal protection, Open 120°C ±5°C /Close 97°C ±5°C	
Manual operation	Declutching mechanism,with handwheel operation	
Self-locking device	Self-locking by worm and worm gear	
Space heater	30W (110/220V AC) Condensation preventing (according to conditions, can be adjusted)	
Conduit entry	Double seal 3× (NPT3/4"、NPT1"、NPT1-1/2" optional)	
Ambient temperature	-25°C ~ +70°C (-30°C、-40°C、-60°C optional)	
Lubrication	Special oil for 00 actuators	
Material	Ductile iron, high-strength aluminum alloys, steel, aluminum bronze, polycarbonate	
Ambient humidity	Max 90% RH	Non-Condensing
Anti-vibration	X Y Z 10g,0.2 ~ 34 Hz,30 minutes	
External coating	Dry powder, epoxy polyester,high anti-corrosion	
Overload protection	Torque peak overload protection	
Display screen	LED display (smart regulation type)	
Setting mode	Non-intrusive setting (without opening the cover set type)	
Electrically	Integrated control unit with a non-invasive rotary switch	

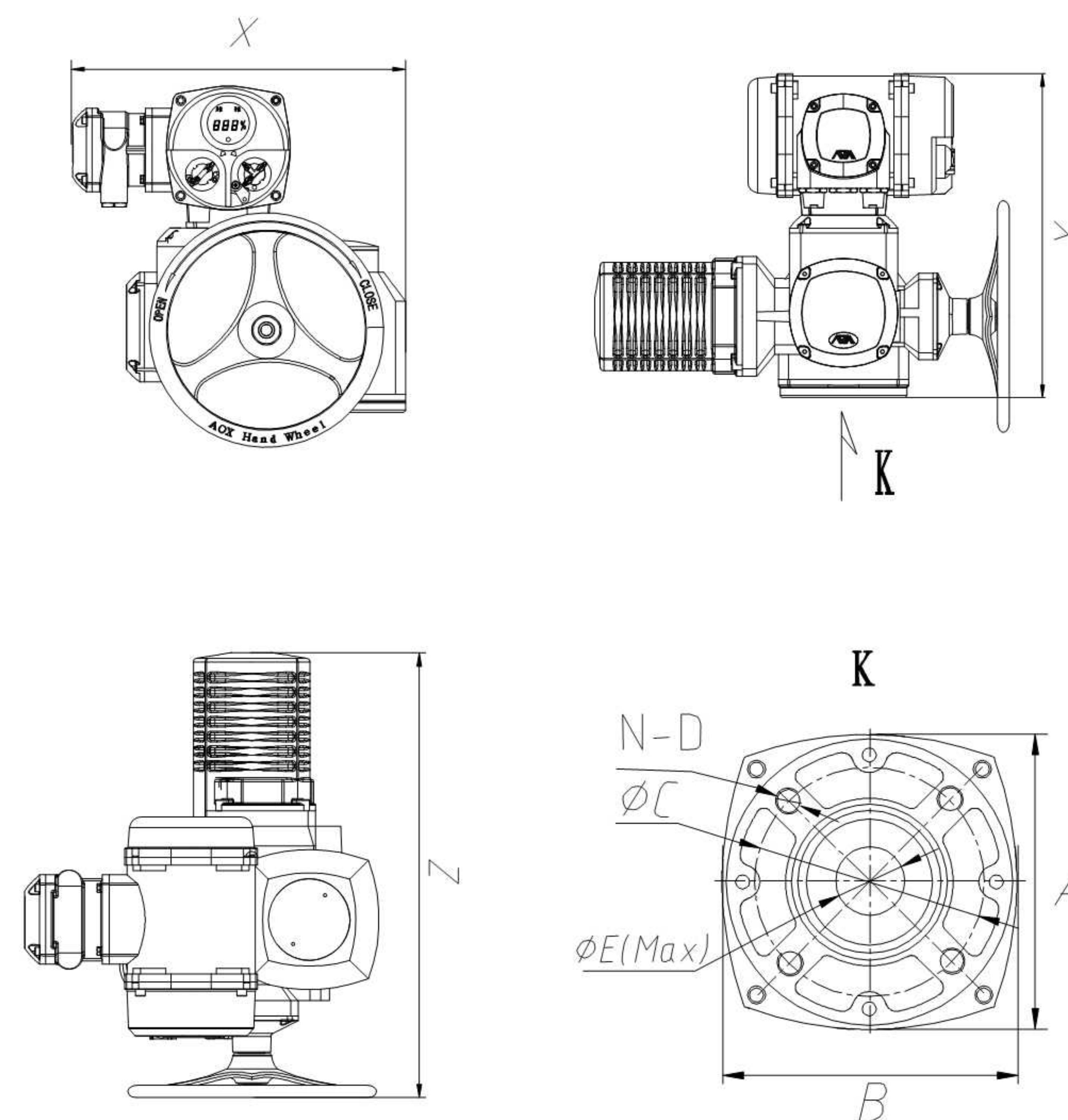


AOXIANG  
ELECTRIC INTELLIGENT ACTUATOR  
ELECTRIC VALVES

# AOX-M Electric Actuator Series

## GENERAL DRAWING

AOX-M



Model	X	Y	Z	A	B	ΦC	N-D	ΦE(Max)
AOX-M-007	393	372	440	115	115	Φ102	4-M10	Φ28
AOX-M-010	433	387	494	132	132	Φ102	4-M10	Φ28
AOX-M-020	509	451	578	180	180	Φ140	4-M16	Φ40
AOX-M-050	509	451	578	180	180	Φ140	4-M16	Φ40
AOX-M-060	605	518	733	220	220	Φ165	4-M20	Φ55
AOX-M-080	605	518	733	220	220	Φ165	4-M20	Φ55
AOX-M-100	605	518	733	220	220	Φ165	4-M20	Φ55

Unit:mm