

# AOX-L Electric Actuator Series

## OPTION SPECIFICATION

No.	Option scheme	Remark
1	Potentiometer unit ( 1K-10K )	AOX-L series
2	Proportion control unit (control signal 4-20mA DC/1-5V/1-10V)	AOX-L series
3	Local control units (local control open/stop/close optional switch, local/remote switch)	AOX-L series
4	Water-proof actuator (IP68, 10M, 250HR)	AOX-L series
5	Reverse electromagnetic control and transmission of integrated motor starter	AOX-L series
6	Electric current position sensor (output 4-20mA DC)	AOX-L series
7	High temperature resistance actuator (-10°C ~ +100°C)	AOX-L series
8	Low temperature resistance actuator (-60°C ~ +30°C)	AOX-L series
9	Low speed actuator	AOX-L series
10	Bus-control unit	AOX-L series



**ZHEJIANG AOXIANG AUTO-CONTROL TECHNOLOGY CO.,LTD**  
 Add:No.2608 Development Zone Road, Economic Development Zone,  
 Ruian Zhejiang China 325200  
 Tel:+86-577-65151268  
 Email:zjaox@zjaox.com  
 Http://www.aoxactuator.com

**AOX-L Electric Actuator**  
 Patented products,  
 Counterfeiting not allowed

© 2019 aox technology copyright Ecology protection

## SUMMARY

"AOX-L" series electric actuator is a new generation of linear actuator, we have done a lot of innovation, with three patents and a number of appearance and utility model patents. It uses modular design, with rich scalability features for a variety of valves and similar products. Such as gate valves, globe valves, control valves, etc., it can be widely used in petroleum, chemical, water treatment, shipbuilding, paper, power plants, heating, building automation and other industries. It uses 380V / 220V / 110V AC power supply for the drive power, using switch value, analog or digital as control signal, move the valve to the desired position and achieving its automation. "AOX-L" series has thrust selection range, its thrust value from 3000-30000NM, also it can match the corresponding valve through different bracket .

## PERFORMANCE PARAMETER

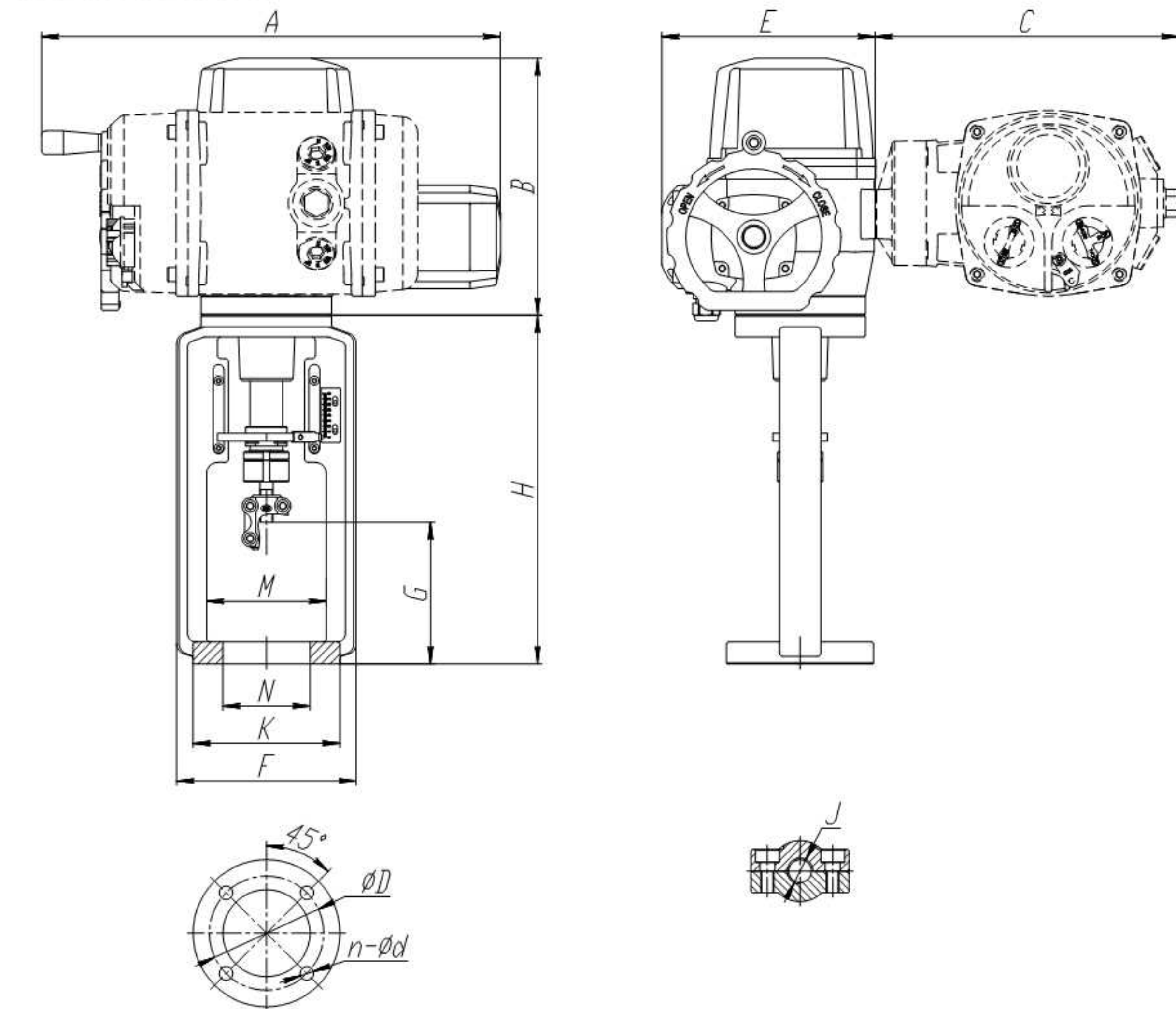
Model	Thrust	Speed	Max stroke	Power	Rated Current ( A )	Weight
	N	mm/s	mm	W	220V/50HZ/1PH	Wg
AOX-L-30	3000	1	25	30	0.31	17.5
AOX-L-50	5000	1	40	45	0.42	19
AOX-L-80	8000	1	60	60	0.62	19.5
AOX-L-100	10000	1.5	100	90	0.82	33
AOX-L-160	16000	1.5	100	90	0.85	33
AOX-L-200	20000	1.5	100	90	0.87	33
AOX-L-250	25000	1.5	100	120	1.22	33
AOX-L-300	30000	1.5	100	120	1.28	33

## STANDARD TECHNICAL PARAMETER

Shell	Enclosure :IP67,IP68 is optional,NEMA4, NEM A6	
Power	Standard:110/220V AC 1Phase Optional:80/440V AC 3 Phase	
Motor	Asynchronous motor	
Limit switch	2×Open/ Close, SPDT,250VAC 10A	
Auxiliary limit switch	2×Open/ Close, SPDT,250VAC 10A	
Fail safe/	Internal-placed thermal protection, Open 120°C ±5°C/Close 97°C ± 5°C	
Operating temperature		
Indicator	Continuous position indicator	
Manual operate	Declutching mechanism, operate by handwheel	
Self-locking device	Self-locking by worm and worm gear	
Space heater	30W(110V/220VAC)	
Conduit entry	2×M20*1.5 ,2×PT 3/4"、 1× PT 1"	
Ambient temperature	-25°C ~ +70°C ( -30°C、 -40°C、 -60°C optional )	
Lubrication	Grease moly ( EP type )	
Material	Steel, Aluminum alloy, Aluminum bronze, Polycarbonate	
Ambient humidity	Max 90% RH	Non-Condensing
Anti-vibration	X Y Z 10g,0.2 ~ 34 Hz,30 minutes	
External coating	Dry powder, Epoxy polyester,high anti-corrosion	

# AOX-L Electric Actuator Series

## GENERAL DRAWING



Unit:mm

Model	A	B	C	E	F	G	H	K	M	N	T	β	ΦD	n-ød	J
AOX-L-30	399	236	279	196	165	90	255	Φ100/Φ125	90	Φ60	20	0°	Φ80	2-Φ10.5	M14MAX可选M24MAX
AOX-L-50	421	236	279	196	165	130	320	Φ135/Φ155	110	Φ80	20	45°	Φ105	4-Φ12.5	M14MAX可选M24MAX
AOX-L-80	421	236	279	196	165	135	365	Φ155	125	Φ95	25	45°	Φ118	4-Φ14.5	M14MAX可选M24MAX
AOX-L-100	460	295	279	230	195	165	490	/	145	Φ100	22	45°	Φ130	4-Φ18	M24MAX
AOX-L-160	460	295	279	230	195	165	490	/	145	Φ100	22	45°	Φ130	4-Φ18	M24MAX
AOX-L-200	460	295	279	230	195	165	490	/	145	Φ100	22	45°	Φ130	4-Φ18	M24MAX
AOX-L-250	460	295	279	230	195	165	490	/	145	Φ100	22	45°	Φ130	4-Φ18	M24MAX
AOX-L-300	460	295	279	230	195	165	490	/	145	Φ100	22	45°	Φ130	4-Φ18	M24MAX

## PERFORMANCE PARAMETER

No.	Performance	Parameter
1	Motor power control	Thyristor commutate relay unit
2	Motor load type	S2-30min (on/off model), S4-25% (Modulating model)
3	Control signal	Input and output 4-20mADC, 1-5VDC, 0-10VDC
4	Sensitivity (dead zone)	0.3% ~ 2.5%
5	Input / output impedance	150Ω、750Ω
6	Set alarm signal	The phase error or loss, motor overheating protection tripping (overheat protection switch)
7	Field control	Select switch scene - stop - remote, knob: open - off, screen