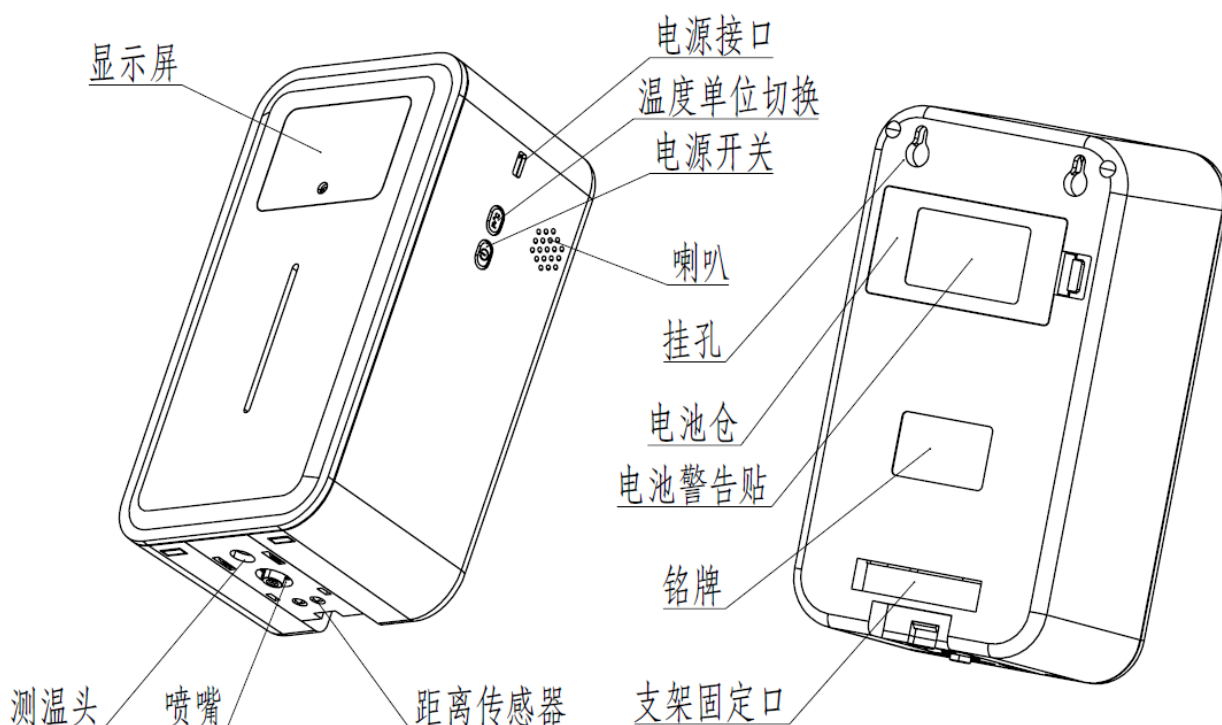


# Rehabor A 自动测温洗手器说明书

## 一、外观简介



- 显示屏 LCD display
- 测温头 Temperature Measuring Probe
- 喷嘴 Liquid Outlets
- 距离传感器 Proximity Sensor
- 电源接口 USB Port
- 温度单位切换 Temperature Unit Switch
- 电源开关 Power Switch
- 喇叭 Speaker
- 挂孔 Wall-hanging hole
- 电池仓 Battery Compartments
- 电池警告贴 Battery Warning Label
- 铭牌 Brand Label
- 支架固口 Tripod Mounting Hole

## 二、规格参数 Specification

**产品型号: Model: KF50**

- 测温精度: 精度 $\pm 0.2^{\circ}\text{C}$  (34~45 $^{\circ}\text{C}$ , 需放置工作环境 30 分钟后开始使用)  
Accuracy:  $\pm 0.2$  degrees(35~45 $^{\circ}\text{C}$ , place it in the working environment for 30 minutes before use)
- 报警方式: 异常自动报警, 闪光+语音提示

Alarm: abnormal alarming automatically, sound alarm with light flashing

3. 测量距离: 约 5cm 自动测量  
Measuring distance: ~5cm auto-measuring
4. 显示屏: 数字显示  
Display: LCD display with figure
5. 传输接口: USB type c 接口  
Transmission interface: USB Type C
6. 装液瓶容量: 450mL  
Liquid capacity: 450mL
7. 安装方式: 壁挂、支架固定  
Installment: wall-hanging, bracket fixing
8. 工作温度: 10°C ~40°C (推荐 15°C~35°C )  
Working Environment : 10°C~40°C (recommended 15°C~35°C)
9. 测量范围: 10~50°C  
Measuring range: 10~50°C
10. 响应时间: 500ms  
Response time: 500ms
11. 待机方式: 非工作时间 5S 待机, 白点动态循环  
Standby: 5S standby during non-working condition with dynamic cycle of flashing white dot
12. 输入电压: DC 5V 2A(可内置 2 节 18650 锂电池供电)  
Input: DC 5V 2A (or 2\*18650 li-ion battery)
13. 外型尺寸: 208X115X86mm  
Dimension: 208\*115\*86mm
14. 液体种类: 液态洗手液, 液态消毒水  
Liquid type: liquid soap, liquid disinfectant

### 三、状态说明 Conditions

1. 待机: 如 (图 1) 显示屏右下角白点轮流亮起。

Standby: The white dot on the lower right corner of the display flashing in turns. (Fig.1)



图 1

2. 温度正常: 如 (图 2) 显示屏显示温度值, 中间报警灯闪一下绿灯。

Normal temperature: Current temperature displayed, with light flashing green once. (Fig.2)



图 2

3. 温度异常: 如 (图 3) 显示屏显示温度值, 中间报警灯闪烁红灯, 并响起警报声。

Abnormal temperature: Current temperature displayed, with alarming and light flashing red. (Fig.3)

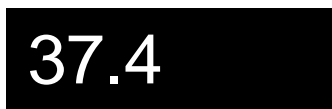


图 3

4.超出量程范围：如(图 4)如显示 Hi 说明超出最高温度量程。

Out of measuring range: "Hi" displayed means current measured temperature is much higher than the settings. (Fig.4)



图 4

## 四、使用说明 Instructions

1. 测温洗手：将手伸进设备底部 (图 5)，向其靠近可听到嘀一声就可测出温度数据及自动喷出洗手液。  
Temperature measuring and hands washing: Put hands to the bottom until a "DI" sounds, the current temperature measured and displayed on the screen, hand sanitizer squeezed out. (Fig.5)

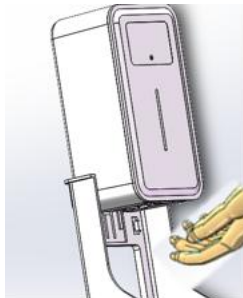


图 5

### 2.按键功能介绍：Buttons Function

(1) 按键①功能: Button①: Function settings (Fig.6)

功能调节选择 (图 6)

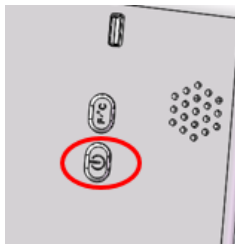


图 6

(2) 按键②功能: Button②: Function settings in turns (Fig.7)

循环调节配置值 (图 7)

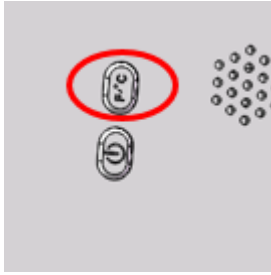


图 7

### 3.功能配置值调节方法 Function settings adjustment

按 1 下 按键①：调温度单位  
 按键②切换摄氏度和华氏度



Press button① once to set the temperature unit

图 9

Press button② to switch unit between Celsius (Fig.8) and Fahrenheit (Fig.9)

按 2 下按键①：调工作模式 Press button① twice to set the working mode

按键②切换 人体模式，计数模式，表面模式 Press button② to switch the working mode. BO: Body mode, CO: Counting mode. SUR: Surface mode



按 3 下按键①：调报警值 Press button① 3 times to set the alarm temperature

按键②调节 36.0~39.0 摄氏度 Press button② to switch the alarm temperature between 36°C~39°C



按 4 下按键①：调音量 Press button① 4 times to set the volume

按键②调节 五档音量 可调 U0-U4 Press button② to switch the volume from U0 to U4



按 5 下按键①：调语言 Press button① 5 times to set the language

按键②切换 CH/EN/KO/PT/ES/JP/IT/DE/FR/RU/NL/AR/OFF 12 国语音 Press button② to switch language  
 CH/EN/KO/PT/ES/JP/IT/DE/FR/RU/NL/AR/OFF

CH: Chinese EN: English KO: Korean PT: Portuguese ES: Spanish JP: Japanese IT: Italian

DE: German FR: French RU: Russian NL: Netherlands AR: Arabia



按 6 下按键①：调挤出量 Press button① 6 times to set the squeeze amount of hand sanitizer

按键②调节 0.1~2.0 秒 挤出时间 Press button② to set the squeeze time between 0.1 and 0.2s



长按按键① 2S 以上：开/关机 Press button① for 2s or more to switch on/off

## 五 . 安装 : Mounting

(1) 三角架：设备底部有螺纹接口可接三角架装如（图 10）

Tripod mounting: There is screw connection on the bottom which can be connected with tripod. (Fig.10)

(2) 挂壁：设备背部有两个挂孔可用挂钉固定如（图 11）

Wall-hanging: There are two hanging holes on the back side which can be fixed with nail. (Fig.11)

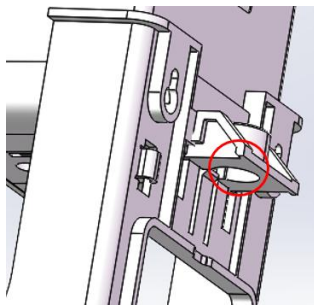


图 10

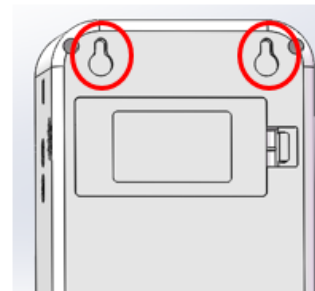


图 11

(3) 桌面支架：用桌面支架放置桌面使用如（图 12） Desktop stand: Put the product on the flat surface with desktop support. (Fig.12)

(4) 支架挂壁：利用支架背部有两个挂孔可用挂钉固定如（图 13） Wall-hanging Desktop stand: There are two hanging holes on the back side of the desktop stand can be fixed with nail. (Fig.13)

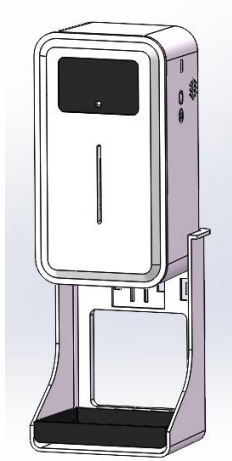


图 12

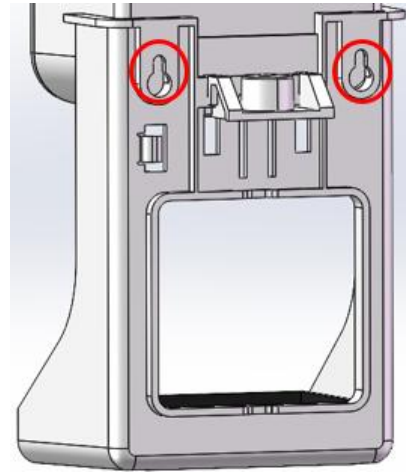


图 13

(5) 支架挂三角架：利用支架背部支板套住三角架角如（图 14） Tripod mounting on the back side of the stand. (Fig.14)

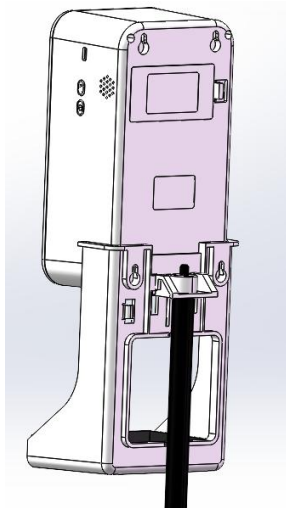


图 14

5. 开关机：长按下设备右侧第一按键两秒（图 15）。 Power on/off: Press the switch button on the right side of the device for 2s. (Fig.15)

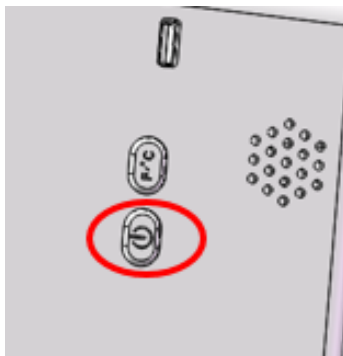


图 15

6. 电池安装：打开电池盖，拿出电池盒，放入 2 节 18650 锂电池，注意电池的方向（图 16、图 17、）  
Battery installation: Open the battery cover, put 2 \*18650 li-ion battery into the battery hole and insert as shown in pictures, then tighten up with screws provided. (Note: Do not insert battery backwards) (Fig. 16, 17)

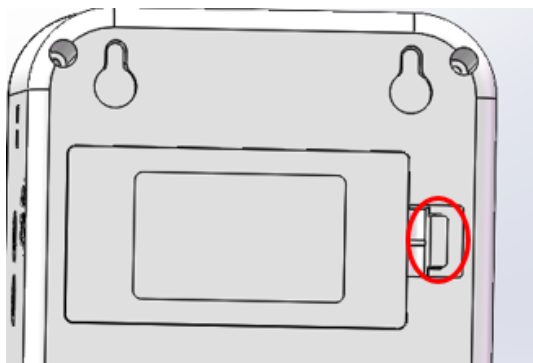


图 16

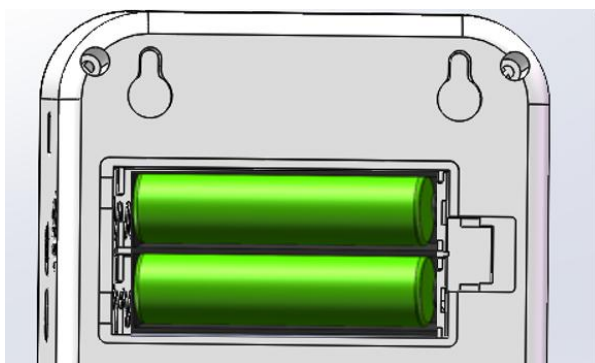


图 17

注意：1.不可将洗手液倒入测温头与距离传感器。2.装入洗手液后只能立着放。

Warnings:

1. Do not pour hand sanitizer into the gap between Temperature Measuring Probe and Proximity Sensor.
2. Make sure the device is standing upright after filling with hand sanitizer.