

8ightstella

Smart Bluetooth Audio Sunglasses

Trendy Eyeglasses x TWS Bluetooth Audio



Open-Ear Audio



High definition
lenses



IP67 is waterproof
and dust proof



Surround sound



Voice control



Bluetooth Voice

Black Intelligent Technology

Break traditions and enjoy life freely

Double Loudspeaker

Directed vocals. Keep it private
To get the sound right into your ear

Bluetooth Headset

Magnetically charged contact
Flexible, easy to use

Large battery
Ultra-long range,
experience upgrade



Call it in

Road conditions

Navigation by car

Search along
the way

Semi-open voice, listen to the news,
the voice is silent

Details

eight stella

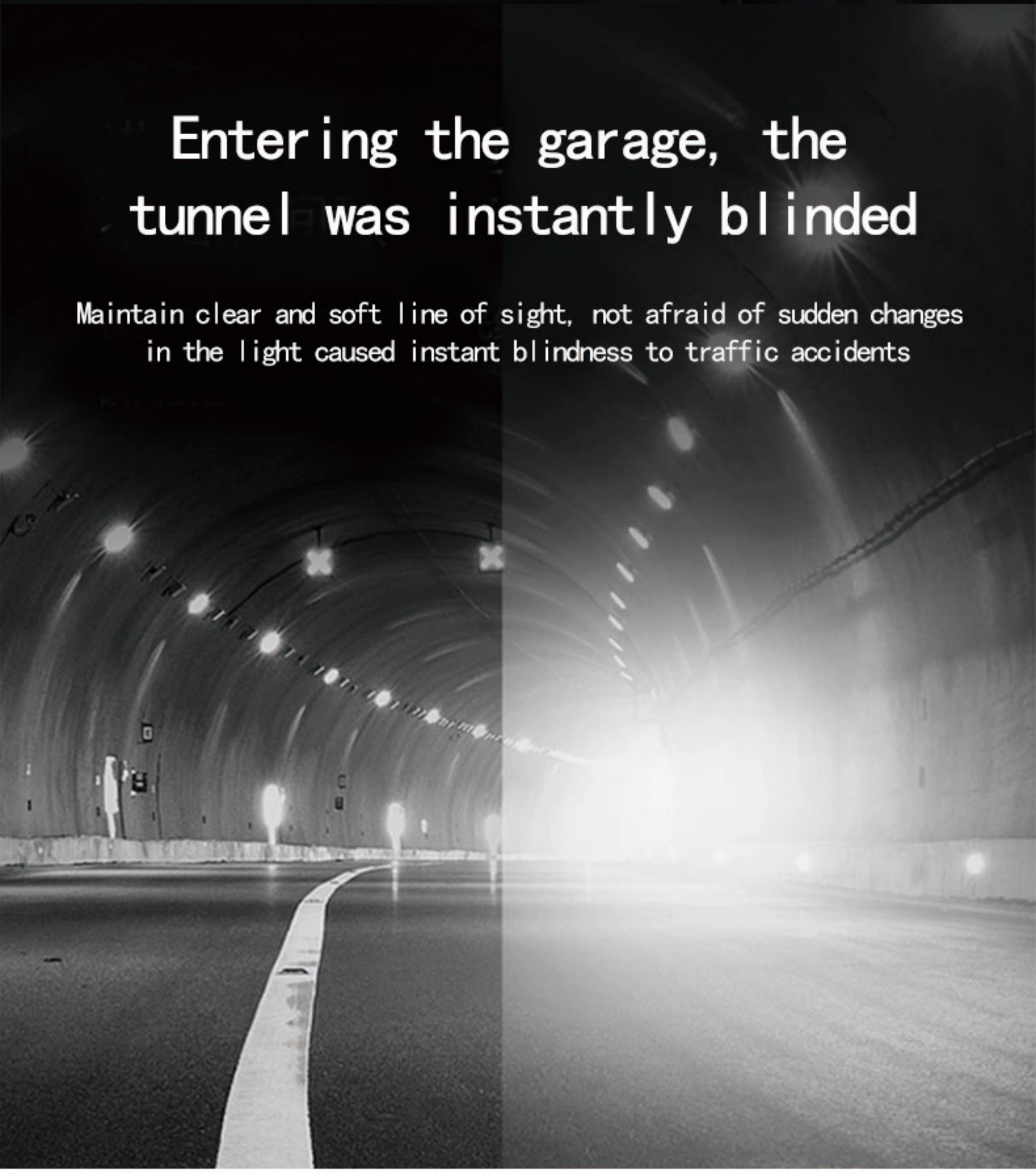
Drive high beams at night without blinding

As we all know, high-beam has become one of the main killers of the night car accident composite lens to bring soft line of sight, easy for security escort high-beam straight



Entering the garage, the tunnel was instantly blinded

Maintain clear and soft line of sight, not afraid of sudden changes in the light caused instant blindness to traffic accidents



Block out Glare and protect your eyes at all times

The coating type Lens effectively blocks the glare and strong light function, can effectively protect both eyes, can let the color more truly present

Antiglare UV380 UV400



Multi-layer coating of High Definition Nylon Lens

High-definition Nylon Lens, double-sided multi-layer coating treatment, anti-oil, anti-scratch film, daily cleaning easier, AR antireflection film increase clarity and contrast, clear and comfortable vision, barrier effect more excellent, effective protection of both eyes

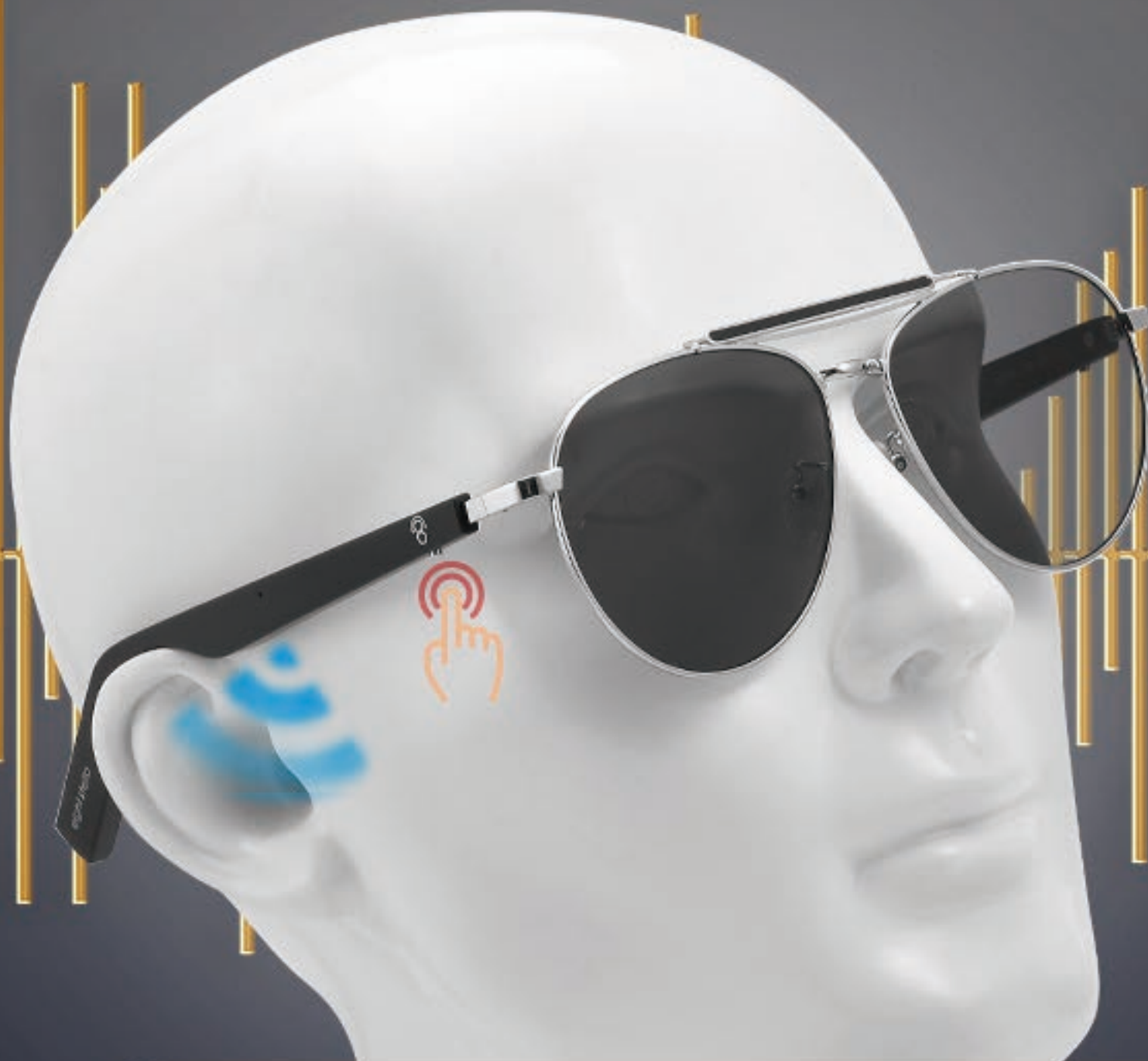


Normal Light

Use High definition lenses

Excellent for Music and calls

Bluetooth audio glasses, from front-line chips to headsets and speakers, are optimized to reduce noise and restore fidelity



(x1)

Single Tap

Answer Call or
play pause music



(x2)

Double Tap

Reject call or
Next track



(x3)

Triple Tap

Back to previous
track

Upgraded Bluetooth Chips Faster and More stable

Adopt advanced bluetooth plans with steady performance and strong compatibility and powerful functions, bringing make your voice calls sound better

5.0
Bluetooth



Excellent sound quality



steady compatibility



Stable connection

Abundant power More long-lasting endurance

It comes with a large capacity 110 Mahx2 battery,
about 7 days standby, charge about 2 hours



7days

of appointed
Endurance standby

6 h

Continuous
phone call

4 h

of playback Music

2 h

for complete
charging

Details of the product

Excellence in every details with it' s amazing technology and outstanding appearance



Alloy frame

Light Weight Acetate Fiber Board
diamond cutting process
light weight non-pressure nose

Integrated nose pad

comfortable and fitting
to the form
alleviating the red



Metal Keys

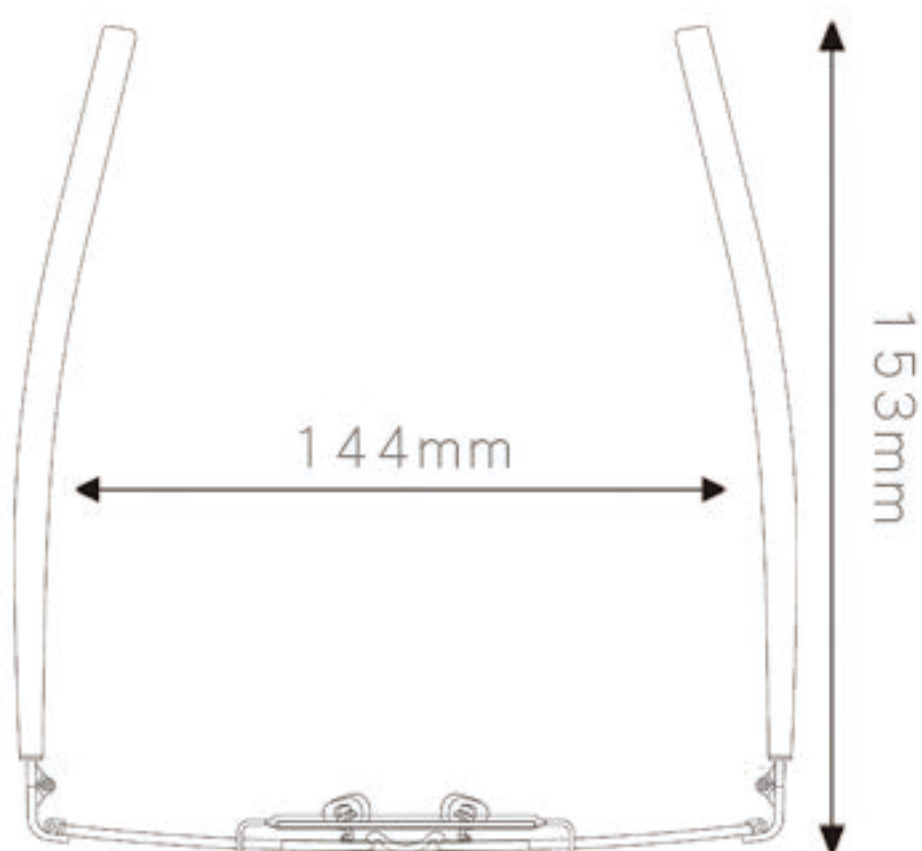
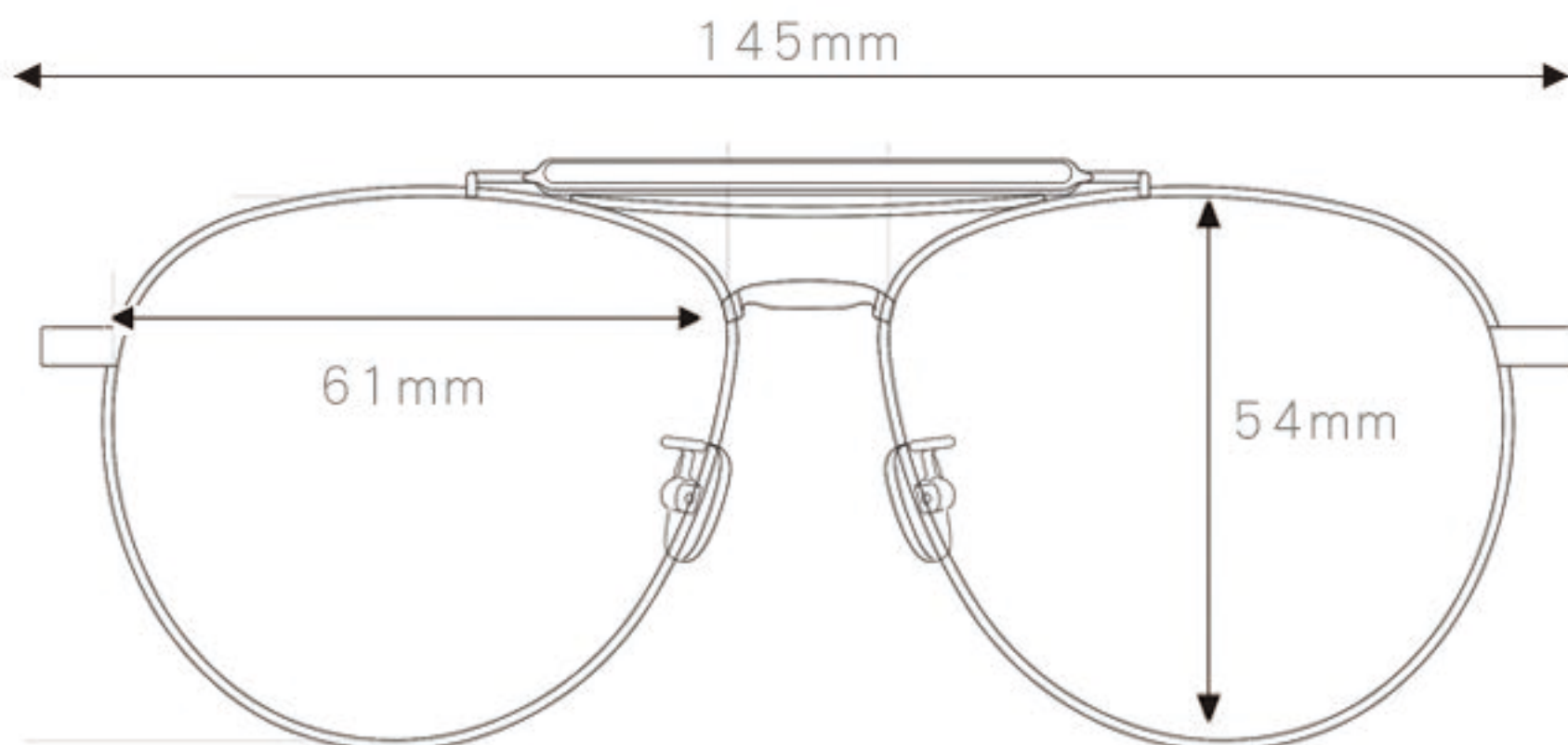
The tentacles have to be switched at will



Comfortable end tip

Exquisite ARC hand paint
delicate smooth finish
grinding close to the skin

Product parameters



- ☑ Product Brand: 8ightstella
- ☑ Product model: ESS-2002
- ☑ Mirror leg material: PC
- ☑ Frame Material: ACETATE FIBER Board material
- ☑ Lens Material: Nylon
- ☑ Product Weight: 45.2g
- ☑ Features: Bluetooth audio voice/blue light/UVAB/UV400
- ☑ Suitable occasions: Game/street photography/travel/fishing etc.
- ☑ Suitable crowd: Male and female

It is normal to have 1-3mm error when the injection dimension is measured by hand



Optional Color



Golden C1



Silver C2



Packaging display

