

8ightstella

Bluetooth Audio anti-blue glasses

Trendy Eyeglasses x TWS Bluetooth Audio



Open-Ear Audio



High definition
lenses



IP67 is waterproof
and dust proof



Surround sound



Voice control



Bluetooth Voice

Black Intelligent Technology

Break traditions and enjoy life freely

Double Loudspeaker

Directed vocals. Keep it private
To get the sound right into your ear

Bluetooth Headset

Magnetically charged contact
Flexible, easy to use

Large battery
Ultra-long range,
experience upgrade



Call it in

Navigation by car

Road conditions

Semi-open voice, listen to the news,
the voice is silent

Search along
the way



Details

eight stella

Video game experience

Facing the mobile phone, computer,
long-term wear more comfortable
vision clear without dazzling



Before wearing

After wearing

Excellent for Music and calls

Bluetooth audio glasses, from front-line chips to headsets and speakers, are optimized to reduce noise and restore fidelity



(x1)

Single Tap

Answer Call or
play pause music



(x2)

Double Tap

Reject call or
Next track



(x3)

Triple Tap

Back to previous
track

Upgraded Bluetooth Chips Faster and More stable

Adopt advanced bluetooth plans with steady performance and strong compatibility and powerful functions, bringing make your voice calls sound better



Excellent sound quality



steady compatibility



Stable connection

Abundant power More long-lasting endurance

It comes with a large capacity 110 Mahx2 battery,
about 7 days standby, charge about 2 hours



7 day

of appointed
Endurance standby

6 h

Continuous
phone call

4 h

of playback Music

2 h

for complete
charging

Multi-layer coating of High Definition Nylon Lens

High-definition Nylon Lens, double-sided multi-layer coating treatment, anti-oil, anti-scratch film, daily cleaning easier, AR antireflection film increase clarity and contrast, clear and comfortable vision, barrier effect more excellent, effective protection of both eyes



Normal Light

Use High definition lenses

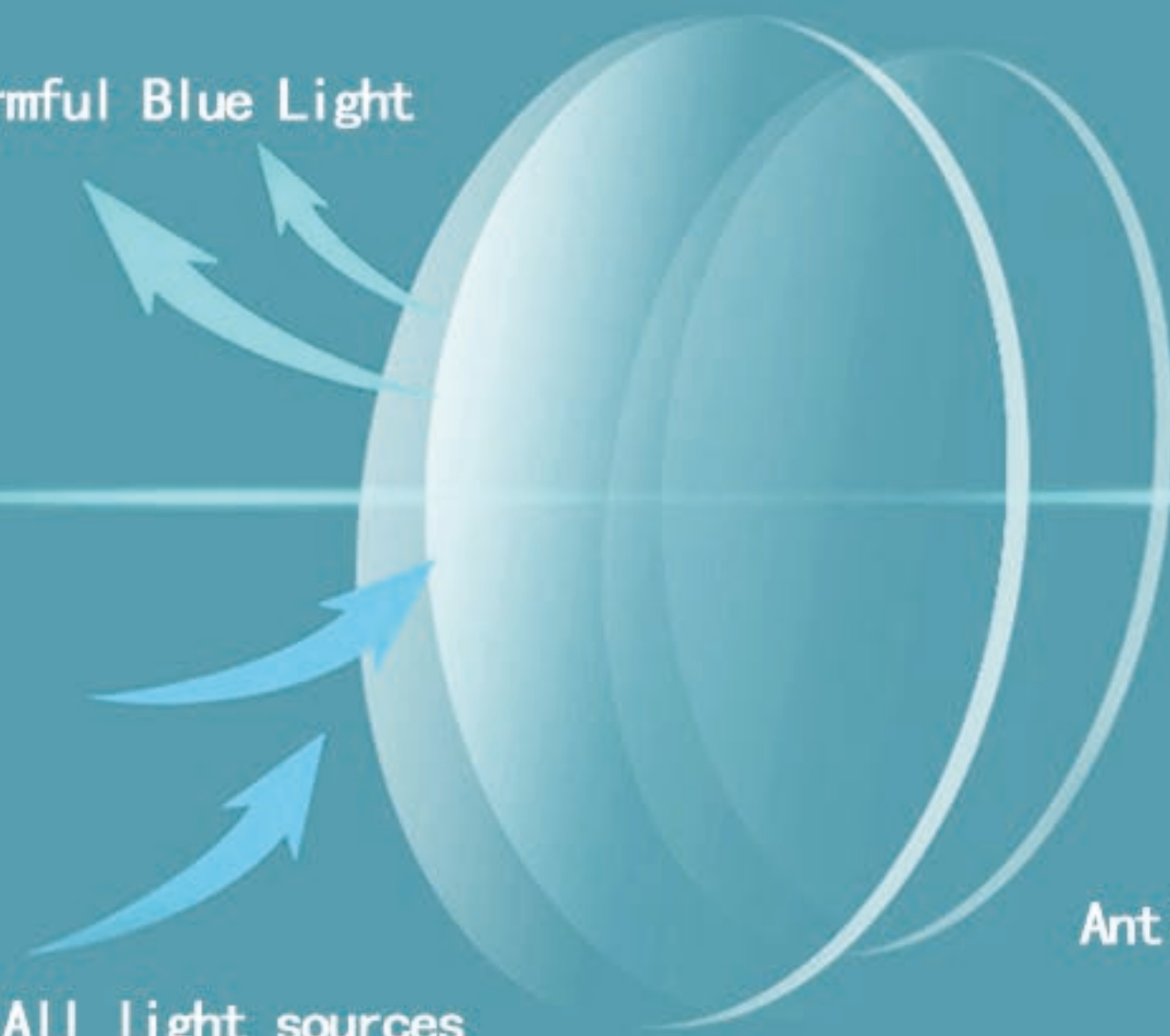
Professional Grade Waterproof and sweat-proof

Precision process with water resistance, IP67
class effective prevention of domestic water,
sweat splash, and short immersion



Protect your eyes from harmful blue light

Harmful Blue Light



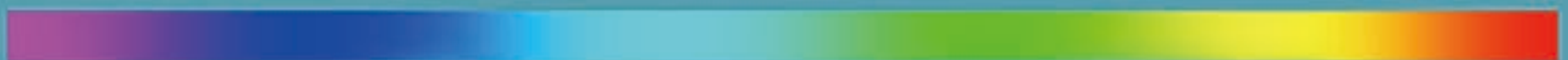
Anti-blue film

All light sources

Intelligent filter technology

Filtering

go through



Harmful Light

Harmless Light

(Ultraviolet Ray & Blue Violet Light)

(Blue-green light & Other visible light)

Details of the product

Excellence in every details with it' s amazing technology and outstanding appearance



**Board
eyeglass frame**

Light Weight Acetate Fiber Board
diamond cutting process
light weight non-pressure nose

**Integrated
nose pad**

comfortable and fitting
to the form
alleviating the red



Metal Keys

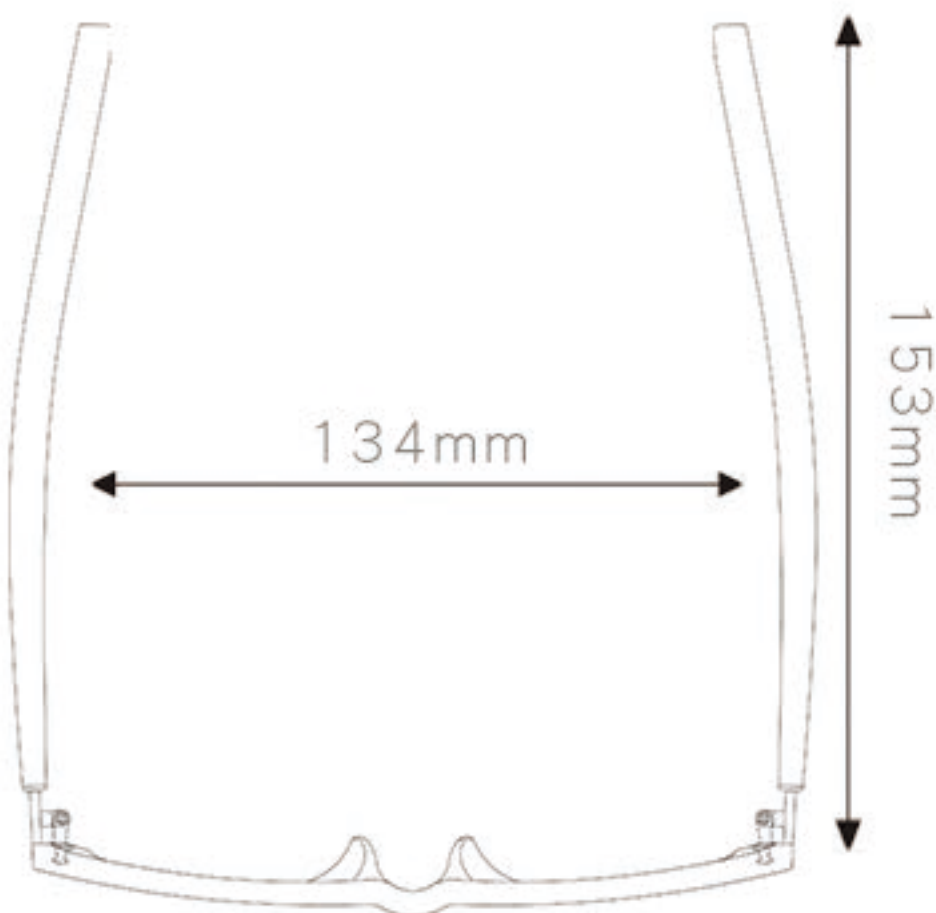
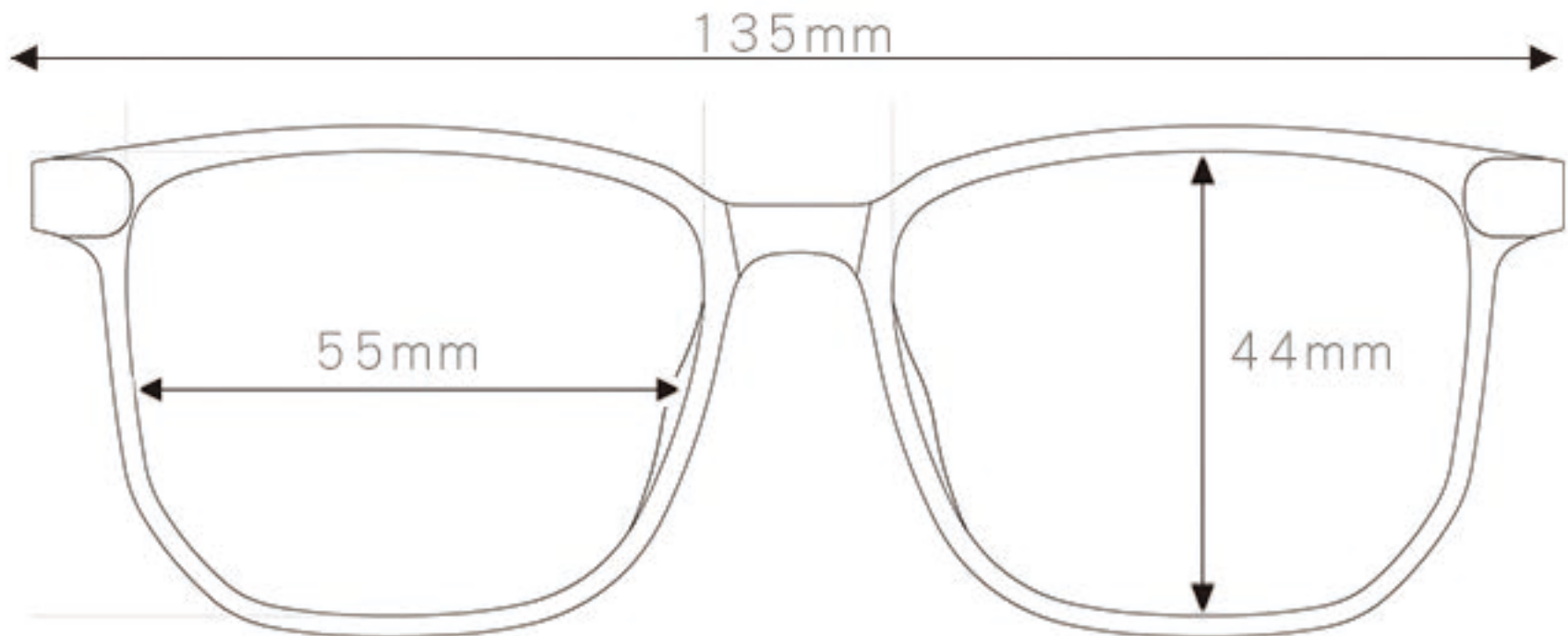
The tentacles have to be switched at will



Comfortable end tip

Exquisite ARC hand paint
delicate smooth finish
grinding close to the skin

Product parameters



It is normal to have 1-3mm error when the injection dimension is measured by hand

- > Product Brand: 8ightstella
- > Product model: ESS-2003
- > Mirror leg material: PC
- > Frame Material: ACETATE FIBER Board material
- > Lens Material: Nylon
- > Product Weight: 40g
- > Features: Bluetooth audio voice/blue light/UVAB/UV400
- > Suitable occasions: Game/street photography/travel/fishing etc.
- > Suitable crowd: Male and female



Optional Color



Gray C 1



Black C 2





Packaging display

