

# 8ightstella

## Smart Bluetooth Audio Sunglasses

Trendy Eyeglasses x TWS Bluetooth Audio



Open-Ear Audio



High definition  
lenses



IP67 is waterproof  
and dust proof



Surround sound



Voice control



Bluetooth Voice

# Black Intelligent Technology

## Break traditions and enjoy life freely

Double Loudspeaker

Directed vocals. Keep it private  
To get the sound right into your ear

Bluetooth Headset

Magnetically charged contact  
Flexible, easy to use

Large battery  
Ultra-long range,  
experience upgrade





Call it in

# Navigation by car

Road conditions

Semi-open voice, listen to the news,  
the voice is silent

Search along  
the way



Details

eight stella

# Drive high beams at night without blinding

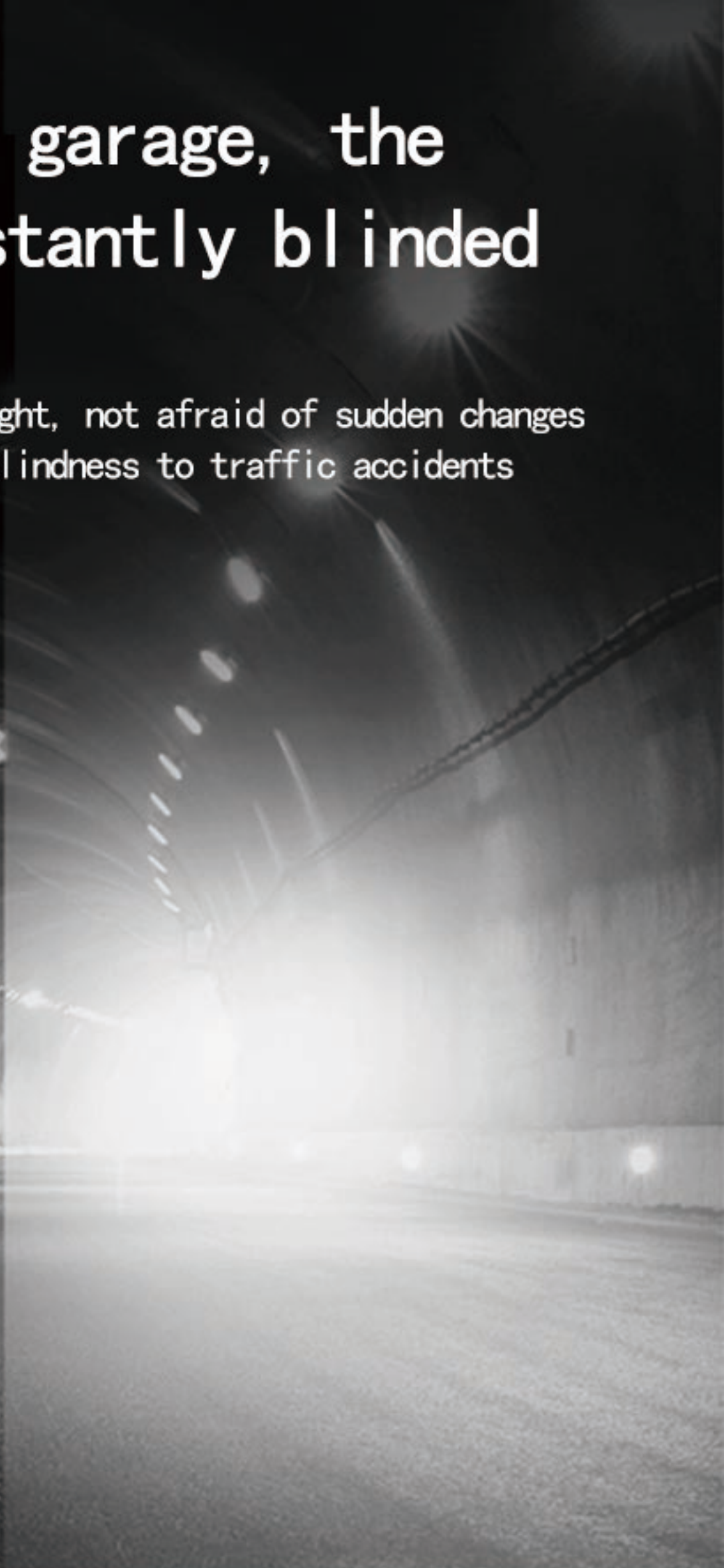
As we all know, high-beam has become one of the main killers of the night car accident composite lens to bring soft line of sight, easy for security escort high-beam straight





# Entering the garage, the tunnel was instantly blinded

Maintain clear and soft line of sight, not afraid of sudden changes in the light caused instant blindness to traffic accidents





# Block out Glare and protect your eyes at all times

The coating type Lens effectively blocks the glare and strong light function, can effectively protect both eyes, can let the color more truly present

Antiglare UV380 UV400





# Multi-layer coating of High Definition Nylon Lens

High-definition Nylon Lens, double-sided multi-layer coating treatment, anti-oil, anti-scratch film, daily cleaning easier, AR antireflection film increase clarity and contrast, clear and comfortable vision, barrier effect more excellent, effective protection of both eyes



Normal Light

Use High definition lenses



# Excellent for Music and calls

Bluetooth audio glasses, from front-line chips to headsets and speakers, are optimized to reduce noise and restore fidelity



(x1)

**Single Tap**

Answer Call or  
play pause music



(x2)

**Double Tap**

Reject call or  
Next track



(x3)

**Triple Tap**

Back to previous  
track



# Upgraded Bluetooth Chips Faster and More stable

Adopt advanced bluetooth plans with steady performance and strong compatibility and powerful functions, bringing make your voice calls sound better



Excellent sound quality



steady compatibility



Stable connection



# Abundant power More long-lasting endurance

It comes with a large capacity 110 Mahx2 battery,  
about 7 days standby, charge about 2 hours



**7**days

of appointed  
Endurance standby

**6** h

Continuous  
phone call

**4** h

of playback Music

**2** h

for complete  
charging



# Professional Grade Waterproof and sweat-proof

Precision process with water resistance, IP67  
class effective prevention of domestic water,  
sweat splash, and short immersion





# Details of the product

Excellence in every details with it' s amazing technology and outstanding appearance



## Board eyeglass frame

Light Weight Acetate Fiber Board  
diamond cutting process  
light weight non-pressure nose

## Integrated nose pad

comfortable and fitting  
to the form  
alleviating the red





## Metal Keys

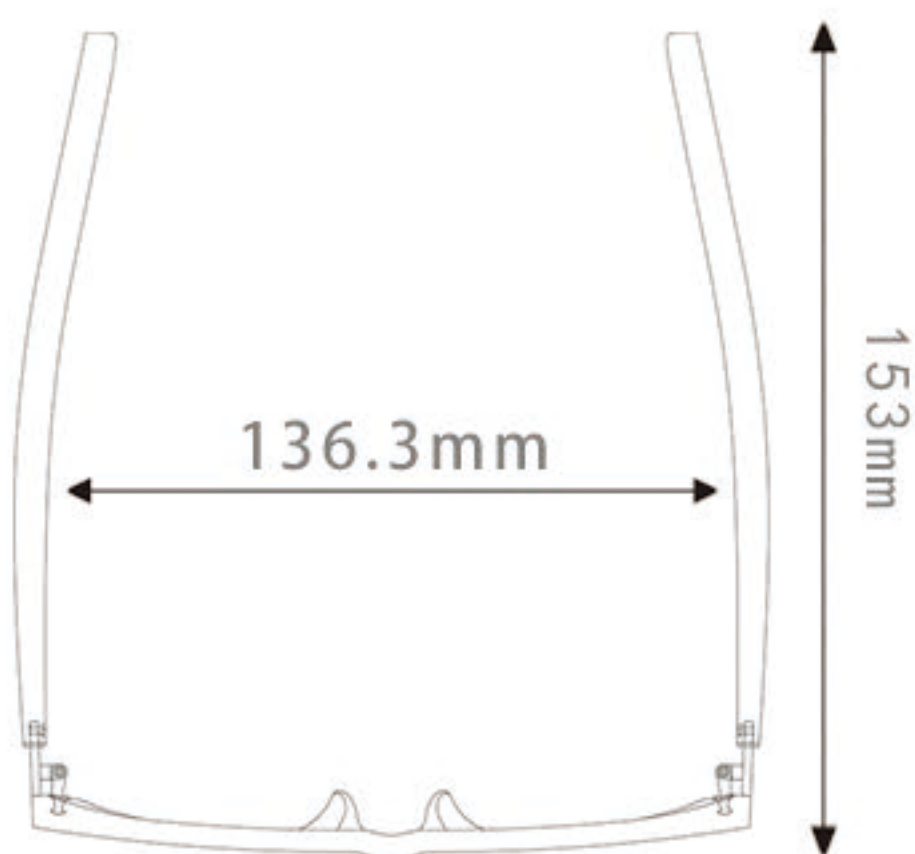
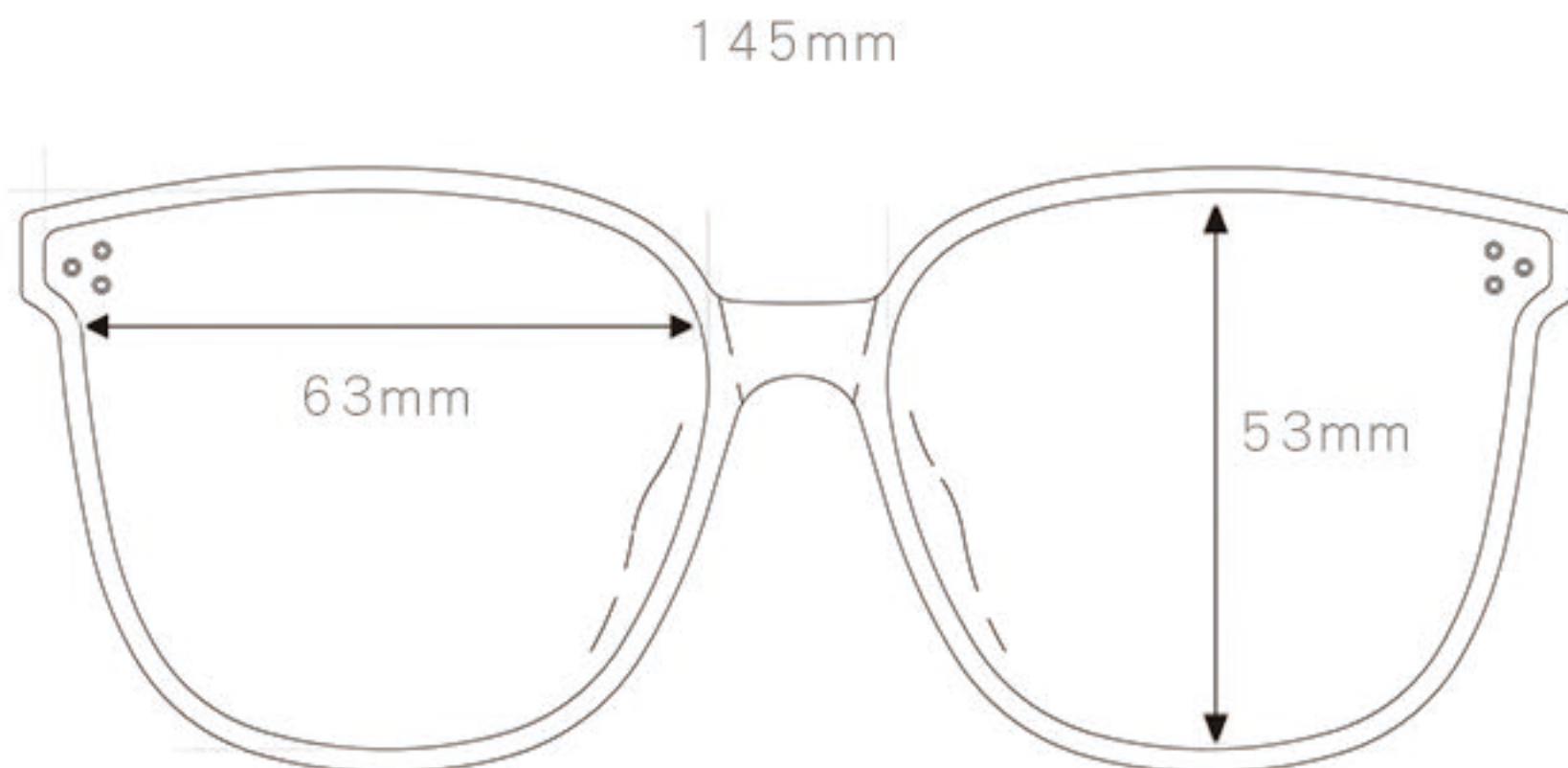
The tentacles have to be switched at will



## Comfortable end tip

Exquisite ARC hand paint  
delicate smooth finish  
grinding close to the skin

# Product parameters



- > Product Brand: 8ightstella
- > Product model: ESS-2001
- > Mirror leg material: PC
- > Frame Material: ACETATE FIBER Board material
- > Lens Material: Nylon
- > Product Weight: 44.7g
- > Features: Bluetooth audio voice/blue light/UVAB/UV400
- > Suitable occasions: Game/street photography/travel/fishing etc.
- > Suitable crowd: Male and female

It is normal to have 1-3mm error when the injection dimension is measured by hand





# Optional Color



Black C1



Gray C2







# Packaging display

