

8ightstella

Smart Bluetooth Audio Sunglasses

Trendy Eyeglasses x TWS Bluetooth Audio



Open-Ear Audio



High definition
lenses



IP67 is waterproof
and dust proof



Surround sound



Voice control



Bluetooth Voice

Black Intelligent Technology

Break traditions and enjoy life freely



Call it in **Navigation by car** Road conditions

Semi-open voice, listen to the news,
the voice is silent

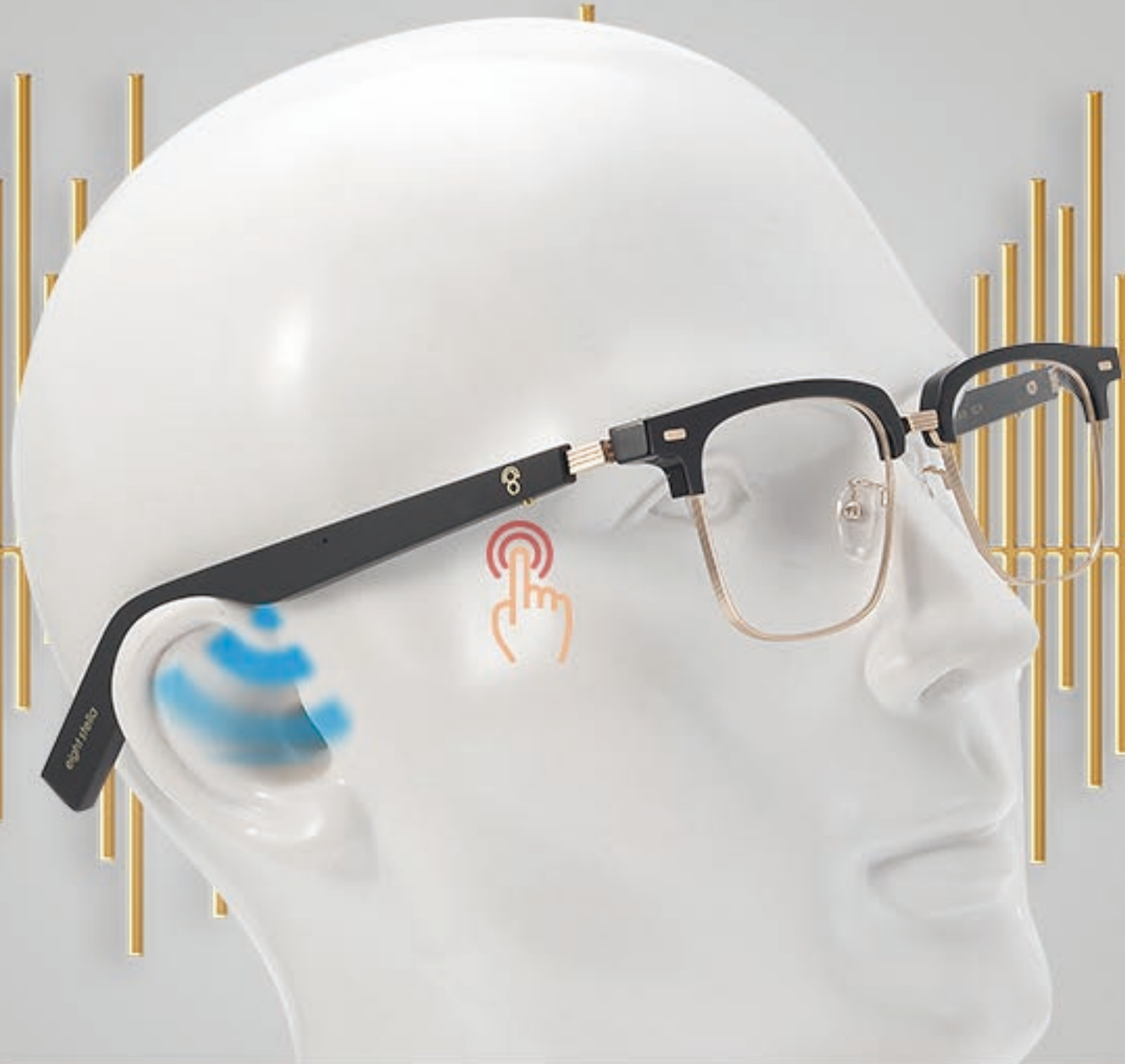
Search along
the way

Details

eight stella

Excellent for Music and calls

Bluetooth audio glasses, from front-line chips to headsets and speakers, are optimized to reduce noise and restore fidelity



Single Tap

Answer Call or
play pause music



Double Tap

Reject call or
Next track



Triple Tap

Back to previous
track

Upgraded Bluetooth Chips Faster and More stable

Adopt advanced bluetooth plans with steady performance and strong compatibility and powerful functions, bringing make your voice calls sound better

5.0
Bluetooth



Excellent sound quality



steady compatibility



Stable connection

Abundant power

More long-lasting endurance

It comes with a large capacity 110 Mahx2 battery,
about 7 days standby, charge about 2 hours



7Days

of appointed
Endurance standby

6 h

Continuous
phone call

4 h

of playback Music

2 h

for complete
charging

Multi-layer coating of High Definition Nylon Lens

High-definition Nylon Lens, double-sided multi-layer coating treatment, anti-oil, anti-scratch film, daily cleaning easier, AR antireflection film increase clarity and contrast, clear and comfortable vision, barrier effect more excellent, effective protection of both eyes



Normal Light

Use High definition lenses

Professional Grade Waterproof and sweat-proof

Precision process with water resistance, IP67
class effective prevention of domestic water,
sweat splash, and short immersion



Patent Hinge

Fashion personality,
comfortable wear, will not pinch the face



Details of the product

Excellence in every details with it' s amazing technology and outstanding appearance



Board eyeglass frame

Light Weight Acetate Fiber Board
diamond cutting process
light weight non-pressure nose

Integrated nose pad

comfortable and fitting
to the form
alleviating the red



Metal Keys

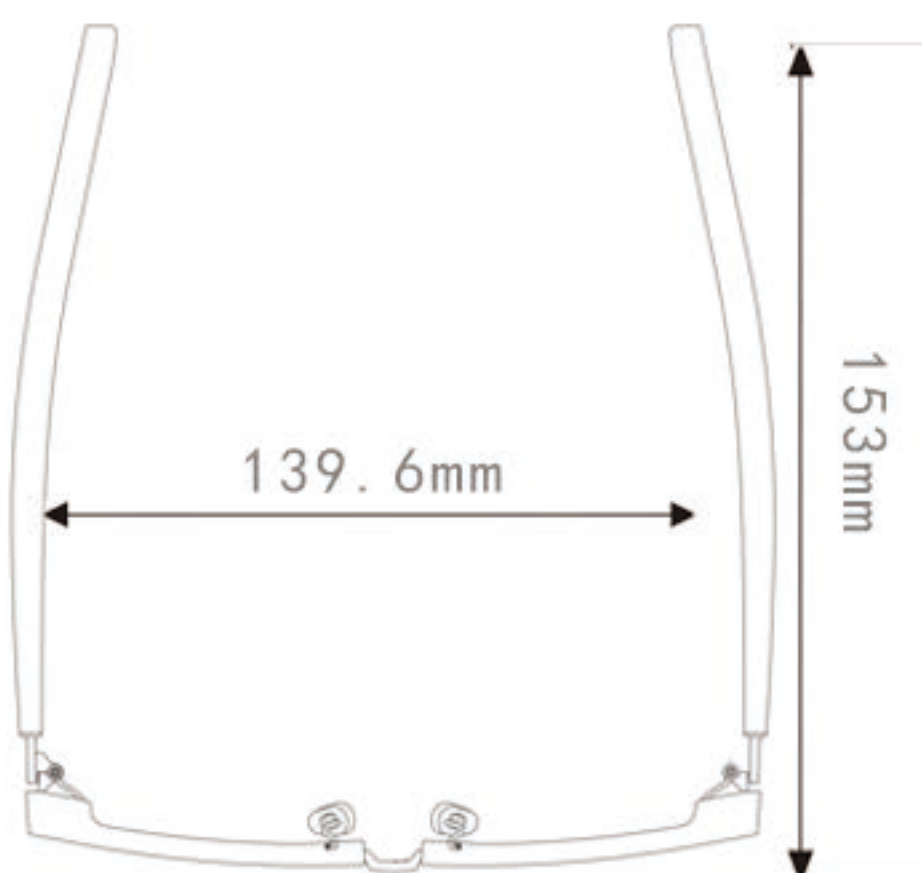
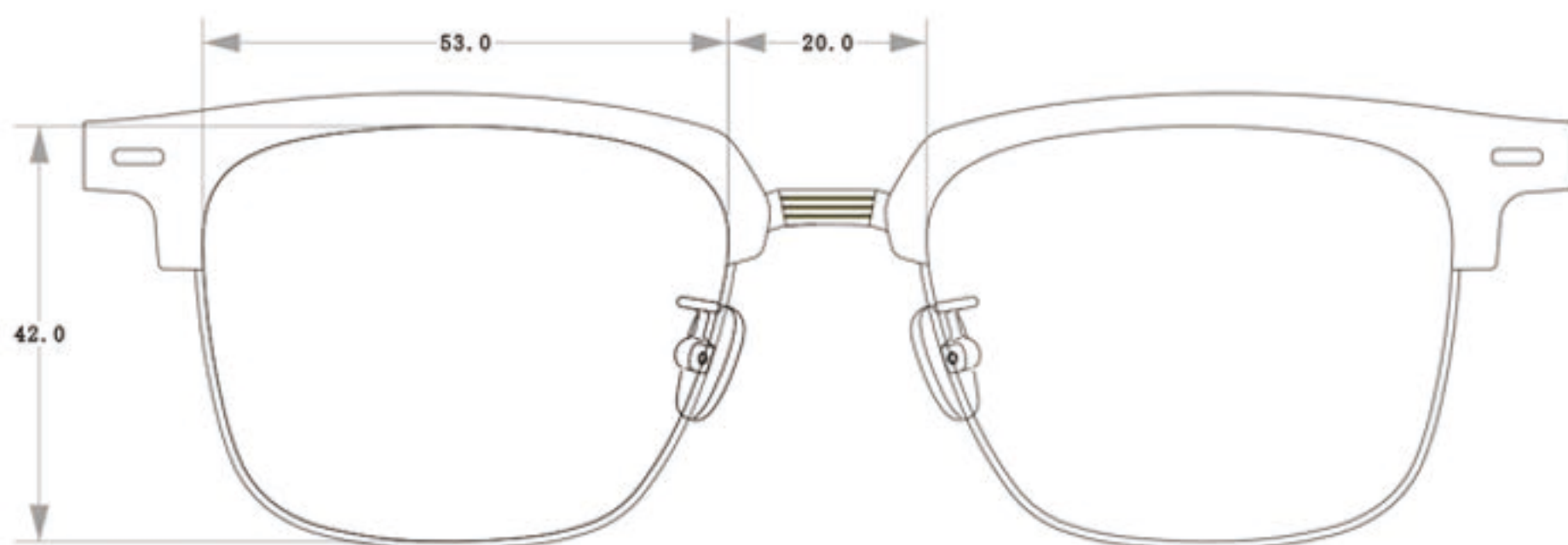
The tentacles have to be switched at will



Comfortable end tip

Exquisite ARC hand paint
delicate smooth finish
grinding close to the skin

Product parameters



It is normal to have 1-3mm error when the injection dimension is measured by hand

- > Product Brand: 8ightstella
- > Product model: ESS-2005
- > Mirror leg material: PC
- > Frame Material: ACETATE FIBER Board material
- > Lens Material: Nylon
- > Product Weight: 35.3g
- > Features: Bluetooth audio voice/blue light/UVAB/UV400
- > Suitable occasions: Game/street photography/travel/fishing etc.
- > Suitable crowd: Male and female



Optional Color



Black



Gray





Packaging display

