

1

2

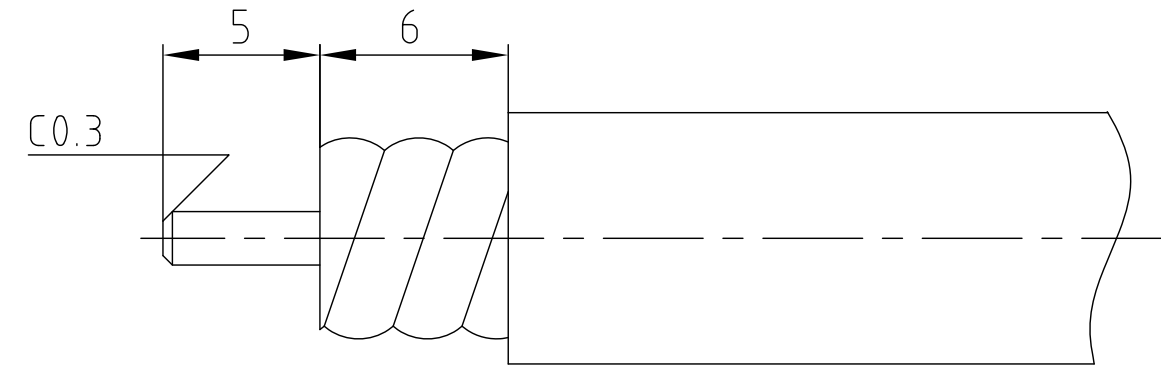
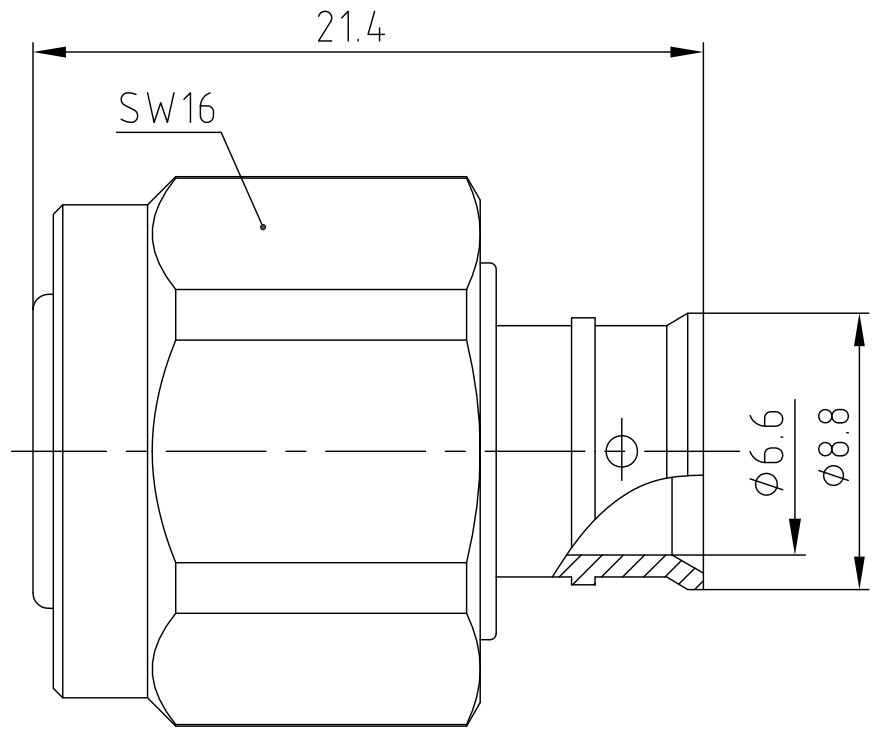
3

4

5

6

| | | | | |
|-----|------|----|----|----|
| 修订号 | 修订说明 | 日期 | 签名 | 校对 |
| | | | | |
| | | | | |



技术要求:

- 1.界面符合(Interface): IEC61169-54
- 2.电气性能(Electrical Characteristics):
 - 2.1.阻抗(Impedance): 50Ω
 - 2.2.频率范围(Frequency Range): DC-6GHz
 - 2.3.驻波(Vswr): 1.25@3GHz 1.35@5GHz
 - 2.4.三阶互调(PIM3): -160dBc
 - 2.5.绝缘电阻(Insulation Resistance): 5000M Ω
- 3.环境性能(Environmental Characteristics):
 - 3.1.工作温度(Operating Temperature): -40 $^{\circ}$ C T0+85 $^{\circ}$ C
 - 3.2.满足RoHS要求(RoHS compliant)
- 4.机械性能(Mechanical Characteristics):
 - 4.1.机械寿命(Mechanical Durability): 500 cycles

| | | | |
|----|----------------------|--------------------|---------------|
| 7 | Protective cap | White PE | / |
| 6 | Heat shrinkable tube | EVA Black | / |
| 5 | Seal ring | Red Silicone Rubbe | / |
| 4 | Snap ring | Stainless steel | Passivation |
| 3 | Inner contact | Bronze | Ag plated |
| 2 | Insulator | PTFE | NA |
| 1 | Body | Brass | CuSnZn plated |
| SN | DESCRIPTION | MATERIAL | FINISH |

BOM

| | | | | |
|--|-----------------------|---|-----------------------------------|---|
| X. ± 0.25 | .XX ± 0.05 | 单位: 毫米 Units: mm | 图纸用途 DRAWING USE: 规格书 | 宁波新峰科技有限公司 Somefly technology Co.,Ltd |
| .X ± 0.1 | ANG $\pm 0.5^{\circ}$ | 材料 Material: / | 产品型号 PRODUCT MODEL: 2.2/5-J42H | |
| 本图纸包含宁波高新区新峰科技有限公司专有信息。除非经本公司书面授权, 否则不得复制、向他人披露或以其他方式全部或部分使用本图纸。 THIS DRAWING CONTAINS CONFIDENTIAL INFORMATION PROPRIETARY TO Somefly technology Co.,Ltd, IT MUST NOT BE REPRODUCED OR DISCLOSED TO OTHERS OR USED IN ANY OTHER WAY, IN WHOLE OR PART EXCEPT AS AUTHORIZED IN WRITING BY Somefly technology Co.,Ltd. | | 面积 SURFACE (mm 2): / | 批准 APPR: Stone/2020.03.26 | 名称 TITLE: 2.2/5 Male For SPP250 cable Low PIM |
| | | 重量 WEIGHT (g): / | 审核 CHKD: TongHe/2020.03.26 | 料号 PART NO.: 003-J1H0M-BS |
| | | 表面粗糙度: $\sqrt{1.8}/\text{MAX}$ MACHINED SURFACES | 设计 DWN: 006/2020.03.26 | 比例 SCALE: 3/1 版次 REV.: A.0 |

1

2

3

4

5

6