

Peripheral Diamond Grinding Wheel

Peripheral Diamond Grinding wheels are used for indexable inserts grinding.

China Customized Peripheral Diamond Grinding Wheel Factory

Peripheral Diamond Grinding wheels for indexable inserts, must be of a high level of geometrical accuracy, with ability of significant material removal. We are able to produce various types wheels to suit all popular machines, such as WENDT, WAIDA, AGATHON, EWAG, COBORN, etc.

Advantages of peripheral diamond wheels

- * High durability, long life
- * Good edge quality of inserts
- * Good surface accuracy retention
- * High stock removal efficiency

Application of peripheral diamond grinding wheels

Mainly used for precise edge grinding of indexable inserts, tungsten carbide inserts, ceramic inserts, CBN inserts.

Materials of workpiece: tungsten carbide, ceramics, PCD/ PCBN inserts, etc.

Applicable machines of peripheral diamond wheels:



400 Series: 400 PENTA, 400COMBI, 400SEMI, 400PERI.

350 Series: 350T B, 350COMBI

250 Series: PA250

WENDT:

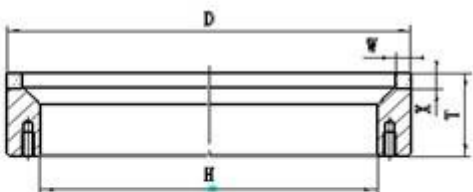
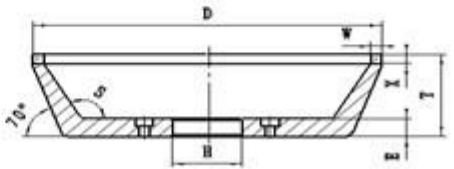
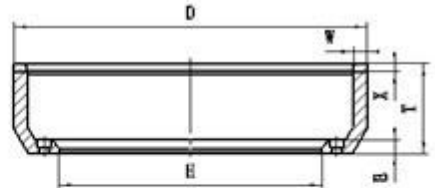
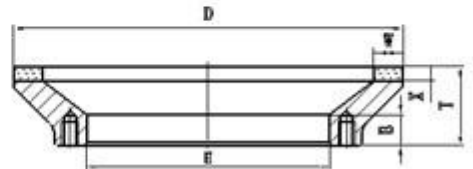
400 Series: WAC715, WAC735

350 Series: WAM336

WAIDA

AP460E

Models and profile drawings of peripheral diamond wheels:

6A2T	
11A2B	
6A2M	
12A2T	

We take "customer-friendly, quality-oriented, integrative, innovative" as objectives. "Truth and honesty" is our administration ideal for New Arrival China China Peripheral Grinding Wheels of Tungsten Carbide Cutting Inserts, We welcome new and previous shoppers from all walks of existence to speak to us for upcoming company relationships and mutual accomplishment! New Arrival China China Grinding Wheels, Abrasive, Strong infrastructure is the want of any organization. We have been backed with a robust infrastructural facility that enables us to manufacture, store, quality check and dispatch our products and solutions worldwide. To maintain smooth work flow, we've sectioned our infrastructure into a number of departments. All these departments are functional with latest tools, modernized machines and equipment. Owing to which, we are able to accomplish voluminous production without compromising upon the quality.