



10.1 inch IPS TFT LCD Display 1024x600

10.1 inch TFT LCD Display 1024x600 is 10.1 inch TFT LCD screen, 1024x600 resolution, driver IC EK79001HQ3, 40 pins FPC, LVDS Interface, Free viewing direction, white LED backlight. The following is about 10.1 inch TFT LCD Display 1024x600 related, I hope to help you better understand 10.1 inch TFT LCD Display 1024x600. You can rest assured to buy 10.1 inch IPS TFT LCD Display 1024x600 from our factory and we will offer you the best after-sale service and timely delivery.

Product Description

Product instruction of the 10.1 inch IPS TFT LCD Display 1024x600

We supply 10.1 inch TFT LCD Display which is a transmissive type a-Si TFT-LCD (amorphous silicon thin film transistor liquid crystal display) module, which is composed of a TFT-LCD panel, a driver circuit and a backlight unit, The panel size is 10.1 inch and the resolution is 1024x600. the panel can display up to 16M colors. The LCM can be easily accessed by LVDS interface.

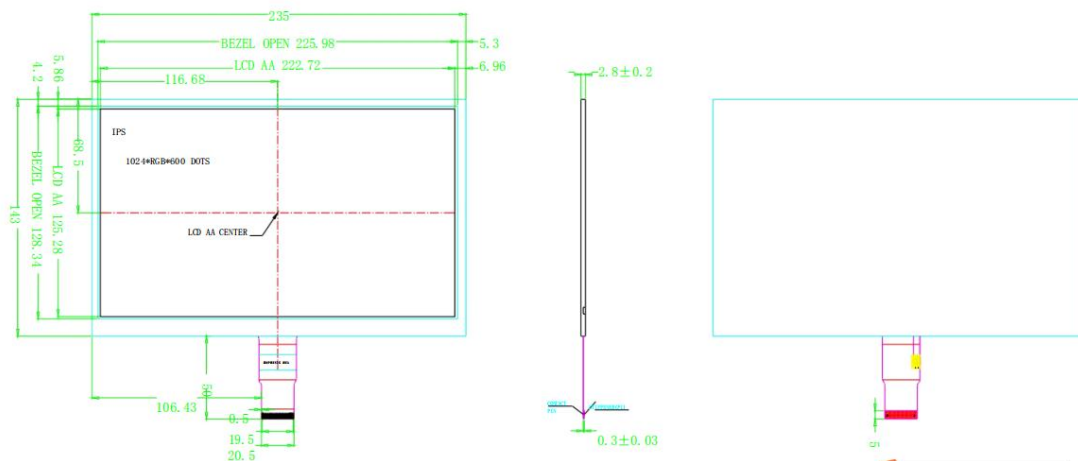
Product Specification of the 10.1 inch TFT LCD Display 1024x600

No	Item	Specification	Remark
1	LCD Type	Active matrix TFT, Transmissive type	
2	Screen Size	10.1inch	
3	Resolution	IPS(1024xRGBx600)	
4	Color Number	16M	
5	Color Arrangement	RGB vertical stripes	
6	Driver IC	EK79001HQ3	
7	Back Light	White LEDx27	

8	Viewing Direction	ALL	
9	Interface	LVDS Interface	
10	Interface Number	40 PINS FPC	
11	TouchPanel	NA	

Parameter	Specifications	Unit
Outline dimensions	235.0(W)x143.0 (H)x2.8 (T) (LCM,no include FPC)	mm
Active area	222.72(W) x125.28(H)	mm
Resolution	1024xRGBx600 dots	-
Pixel Pitch	0.2175x0.2088	mm

Production Drawing of the 10.1 inch TFT LCD Display 1024x600



Production PINS Definition of the 10.1 inch TFT LCD Display 1024x600

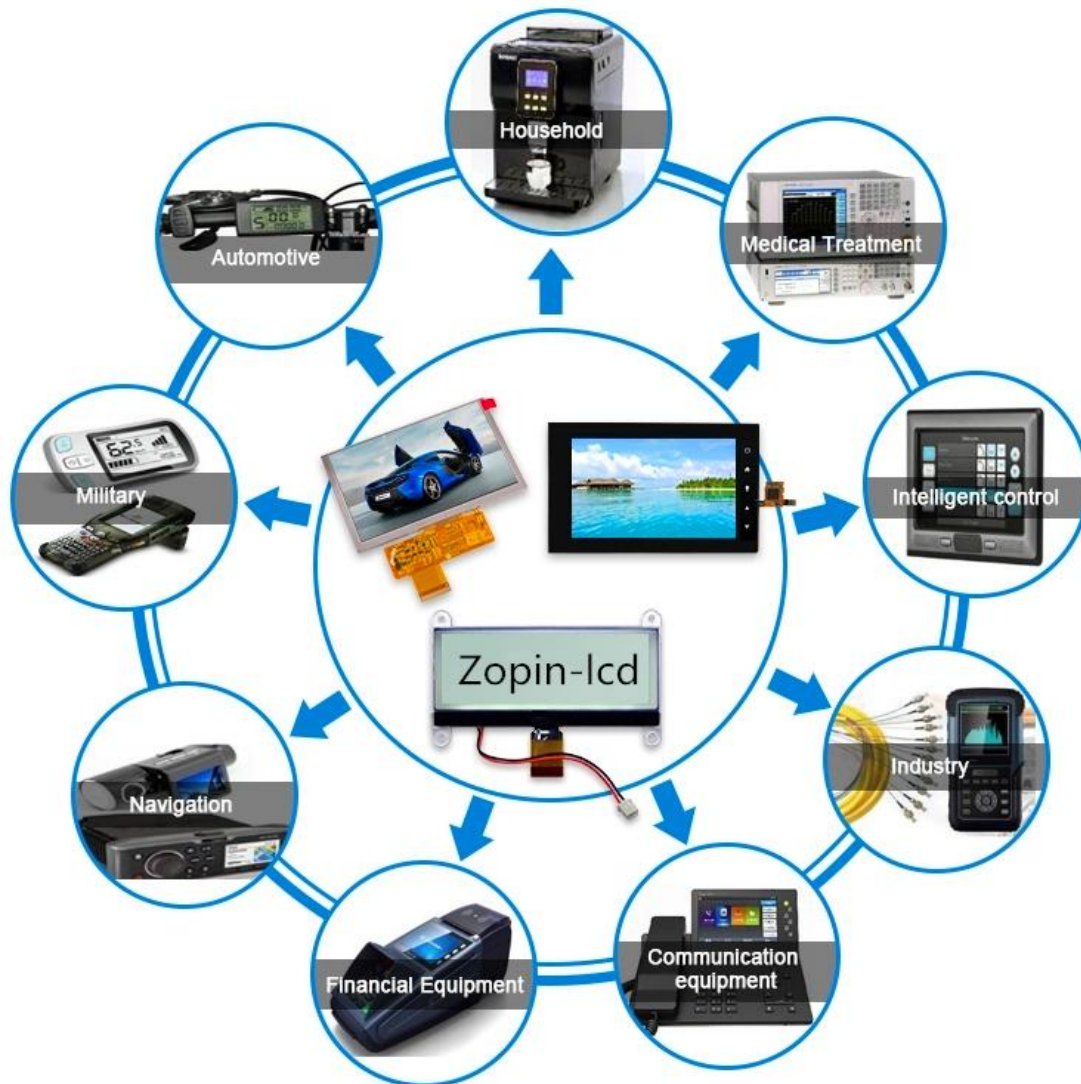
Pin No.	Symbol	Functional
1	VCOM	Common Voltage
2~3	VDD	Power Supply for digital circuit
4	NC	No connection
5	RESET	Global reset pin
6	STBYB	Standby mode, Normally pulled high

7	GND	Ground
8	Rin0-	-LVDS differential data input
9	Rin0+	+LVDS differential data input
10	GND	Ground
11	Rin1-	-LVDS differential data input
12	Rin1+	+LVDS differential data input
13	GND	Ground
14	Rin2-	-LVDS differential data input
15	Rin2+	+LVDS differential data input
16	GND	Ground
17	RclkIN-	-LVDS differential clock input
18	RclkIN+	+LVDS differential clock input
19	GND	Ground
20	Rin3-	-LVDS differential data input
21	Rin3+	+LVDS differential data input
22	GND	Ground
23-24	NC	No connection
25	GND	Ground
26	NC	No connection
27	NC	No connection
28	SELB	6bot/8bit mode select , L=8 BIT , H=6BIT
29	AVDD	Power for Analog Circuit
30	GND	Ground
31-32	LED-	LED Cathode
33	L/R	Horizontal inversion
34	U/D	Vertical inversion
35	VGL	Gate OFF Voltage
36	NC	No connection

37	NC	No connection
38	VGH	Gatr ON Voltage
39-40	LED+	LED Anode

Product Feature and Application of the 10.1 inch TFT LCD Display 1024x600

Product Application



Product Quality Control of the 10.1 inch TFT LCD Display 1024x600

Before package and shipment, the original products will be tested one by one by our technicians and QC team to make sure the quality of every product is good. We will test goods strictly according to our standard inspection before shipment.

Delivery, shipping and Severing of the 10.1 inch TFT LCD Display 1024x600

- 1). Payment Terms: T/T, Western Union.
- 2). Shipping: Prompt delivery by UPS, EMS, DHL, TNT, FedEx, or by air.
- 3). Delivery time: 3-7 days for goods in stock, 3-4 weeks for mass production goods.
- 4). Packaging Details: Packed in anti-static bags with foam box to ensure safety in transportation.
- 5). Delivery Details: 1 to 30 days. The delivery fee is up to the weight and volume of the products.
- 6). Samples: Our company offers samples for quality test or other business purposes, but we kindly ask you to pay for samples and the freight.

PACKAGE & LOGISTICS



VACANCY TRAY ADHESIVE TAPE



SHOCKPROOF & WATERPROOF



COMPLETE PACKAGE



TRANSPORTATION



SIGN FOR

Shipping&Payment



FAQ

Q: What is the MOQ?

A: Generally if you choose the different products, our minimum order qty also will be different.

Q: What about the delivery time?

A: The LCD products need 3-4 weeks to be made after receive deposit.

Q: Does your product have any warranty?

A: Yes, we offer 12 months warranty for our products. Damage due to misuse, ill treatment and unauthorized modifications and repairs are not covered by our warranty.

Q: What's your payment method?

A: We usually accept the payment methods include T/T, Western Union. 50-100% deposit in advance and balance before shipping upon the payment amount. Buyer can choose which payment ways that you accept.

Q: What's your shipping method?

A: We provide comprehensive shipping methods.

For small quantity orders we ship by UPS Air-Express, or DHL/FEDEX/TNT/EMS Express service, it is safe and fast.

For large quantity orders we ship by buyer's cargo agent in China, we can also ship by Air transportation or sea transportation.

Q: Do you offer custom solution?

A: Yes, we can offer custom solution if standard products couldn't meet buyer' requirements.

Latest News