



0.96 inch OLED 128x64 Display

The following is about 0.96 inch OLED 128x64 Display related, I hope to help you better understand 0.96 inch OLED 128x64 Display.

Product Description

Product instruction of the 0.96 inch OLED 128x64 Display

We supply 0.96 inch OLED Display which is the graphic OLED display module made of 128x64 white OLED pixels, diagonal is only 0.96 inch. The controller IC SSD1315Z, communicates via I2C/3-wire/4-wire serial interface.

Product Specification of the 0.96 inch OLED 128x64 Display

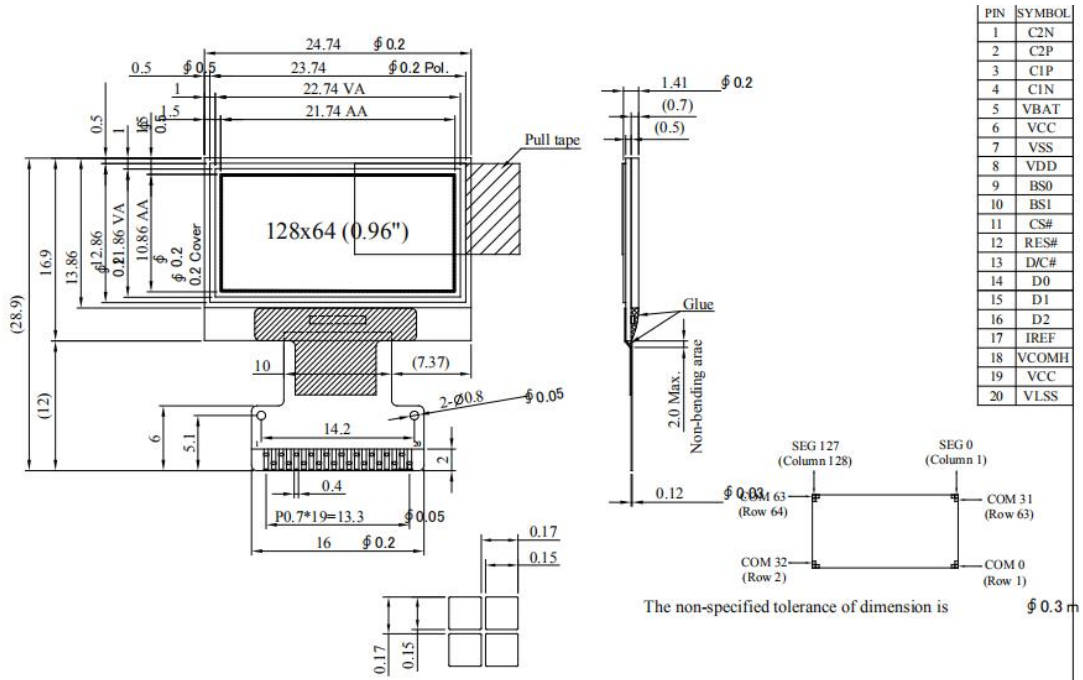
Item	Dimension	Unit
Dot Matrix	128x64 Dots	—
Module dimension	24.74x16.90x1.41	mm
Active Area	21.74x10.86	mm
Pixel Size	0.15x0.15	mm
Pixel Pitch	0.17x0.17	mm
Display Mode	Passive Matrix	
Display	Color White	
Drive Duty	1/64 Duty	
IC	SSD1315Z	
Interface	3 and 4-wire SPI, I2C	

Size	0.96 inch
------	-----------

Product Picture of the 0.96 inch OLED 128x64 Display



Product Drawing of the 0.96 inch OLED Display



Product Interface Pin Function of the 0.66 inch OLED Display

No.	Symbol	Function	
1	C2N	Positive Terminal of the Flying Inverting Capacitor	
2	C2P	Negative Terminal of the Flying Boost Capacitor	
3	C1P	The charge-pump capacitors are required between the terminals. They must be floated when the converter is not used.	
4	C1N		
5	VBAT	<i>Power Supply for DC/DC Converter Circuit</i> This is the power supply pin for the internal buffer of the DC/DC voltage converter. It must be connected to external source when the converter is used. It should be connected to VDD when the converter is not used.	
6	VCC	<i>Power Supply for OEL Panel</i> This is the most positive voltage supply pin of the chip. A stabilization capacitor should be connected between this pin and VSS when the converter is used. It must be connected to external source when the converter is not used.	
7	VSS	<i>Ground of Logic Circuit</i> This is a ground pin. It acts as a reference for the logic pins. It must be connected to external ground.	
8	VDD	<i>Power Supply for Logic</i> This is a voltage supply pin. It must be connected to external source.	
9	BS0	<i>Communicating Protocol Select</i> These pins are MCU interface selection input. See the following table:	
10	BS1	BS[1:0]	Interface
		00	4-line SPI
		01	3-line SPI
		10	I2C
11	CS#	<i>Chip Select</i> This pin is the chip select input. The chip is enabled for MCU communication only when CS# is pulled low.	
12	RES#	<i>Power Reset for Controller and Driver</i> This pin is reset signal input. When the pin is low, initialization of the chip is executed.	
13	D/C#	<i>Data/Command Control</i> This pin is Data/Command control pin. When the pin is pulled high, the input at D7~D0 is treated as display data. When the pin is pulled low, the input at D7~D0 will be transferred to the command register. For detail relationship to MCU interface signals, please refer to the Timing Characteristics Diagrams. When the pin is pulled high and serial interface mode is selected, the data at SDIN is treated as data. When it is pulled low, the data at SDIN will be transferred to the command register. In I2C mode, this pin acts as SA0 for slave address selection.	

Product Feature and Application of the 0.96 inch OLED Display

Due to controller's built-in voltage generation, only a single 3.3V power supply is needed. Because the display makes its own light, no backlight is required. This reduces the power required to run the OLED and is why the display has such high contrast, extremely wide viewing angle and extremely operating temperature. The FPC is the soldering type, no need connector. Just solder the FPC on your PCB directly.

It's easily controlled by MCU such as 8051, PIC, AVR, ARDUINO, ARM and Raspberry Pi. It can be used in any embedded systems, industrial device, security, medical and hand-held device.

APPLICATION



Product OLED Lifetime of the 0.96 inch OLED Display

ITEM	Conditions	Min	Typ	Remark
Operating Life Time	Ta=25℃ / Initial 50% check board brightness Typical Value	20,000 Hrs	—	Note

Notes:

1. Life time is defined the amount of time when the luminance has decayed to <50% of the initial value.
2. This analysis method uses life data obtained under accelerated conditions to extrapolate an estimated probability density function (pdf) for the product under normal use conditions.
3. Screen saving mode will extend OLED lifetime.

Product Quality Control of the 0.96 inch OLED Display

Before package and shipment, the original products will be tested one by one by our technicians and QC team to make sure the quality of every product is good.

We will test goods strictly according to our standard inspection before shipment.

Delivery, shipping and Severing of the 0.96 inch OLED Display

- 1) .Payment Terms: T/T, Western Union.
- 2). Shipping: Prompt delivery by UPS, EMS, DHL, TNT, FedEx, or by air.
- 3). Delivery time: 3 days for goods in stock, 3-4 weeks for mass production goods.
- 4). Packaging Details: Packed in anti-static bags with foam box to ensure safety in transportation.
- 5). Delivery Details: 1 to 30 days. The delivery fee is up to the weight and volume of the products.
- 6). Samples: Our company offers samples for quality test or other business purposes, but we kindly ask you to pay for samples and the freight.

FAQ

Q: What is the MOQ?

A: Generally if you choose the different products, our MOQ also will be different.

Q: What about the delivery time?

A: The LCD products need 3-4 weeks to be made after receive deposit.

Q: Does your product have any warranty?

A: Yes, we offer 12 months warranty for our products. Damage due to misuse, ill treatment and unauthorized modifications and repairs are not covered by our warranty.

Q: What's your payment method?

A: We usually accept the payment methods include T/T, Western Union. 50-100% deposit in advance and balance before shipping upon the payment amount. Buyer can choose which payment ways that you accept.

Q: What's your shipping method?

A: We provide comprehensive shipping methods.

For small quantity orders we ship by UPS Air-Express, or DHL/FEDEX/TNT/EMS Express service, it is safe and fast.

For large quantity orders we ship by buyer's cargo agent in China, we can also ship by Air transportation or sea transportation.

Q: Do you offer custom solution?

A: Yes, we can offer custom solution if standard products couldn't meet buyer' requirements.

Latest News