



0.96 inch 80x160 IPS TFT LCD

0.96 inch 80x160 IPS TFT LCD is 0.96 inch IPS TFT LCD screen, 80x160 resolution, driver IC ST7735, 13 pins FPC, 4-SPI interface, Free viewing direction, white LED backlight.

Product Description

0.96 inch 80x160 IPS TFT LCD

Product instruction of the 0.96 inch 80x160 IPS TFT LCD

We supply 0.96 inch 80x160 IPS TFT LCD which is a transmissive type a-Si IPS TFT-LCD (amorphous silicon thin film transistor liquid crystal display) module, which is composed of a TFT-LCD panel, a driver circuit and a backlight unit, The panel size is 0.96 inch and the resolution is 80x160. High image quality a-Si TFT LCD module. The LCM can be easily accessed by micro-controller via 4-SPI interface.

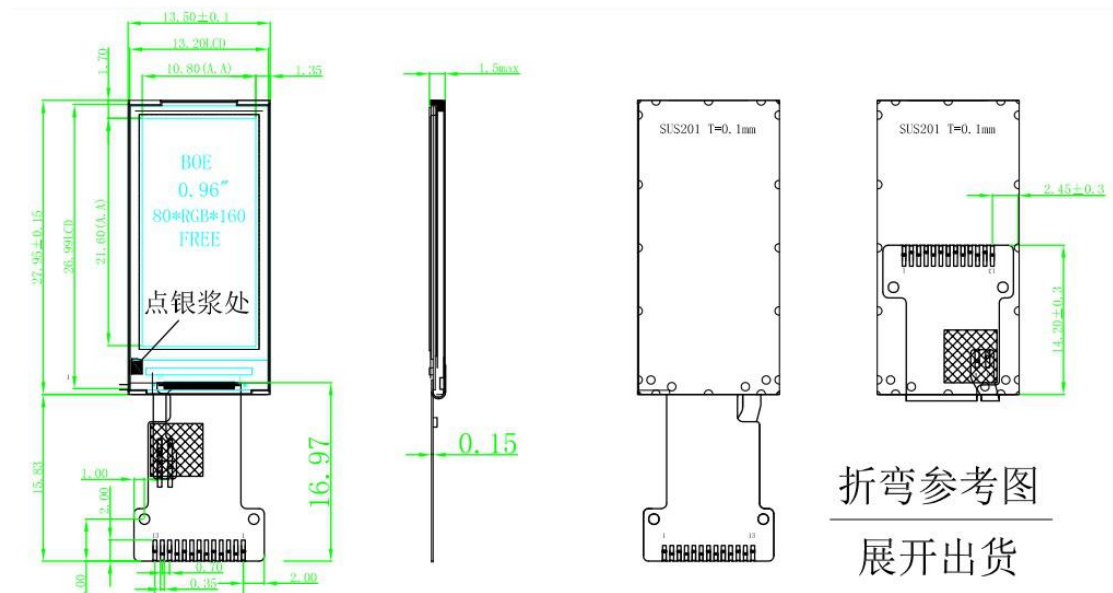
Product Specification of the 0.96 inch 80x160 IPS TFT LCD

No	Item	Specification	Remark
1	Display Mode	Normally Black	-
2	Screen Size	0.96inch	-
3	Resolution	80xRGBx160	-
4	Color Number	262K TFT	-
5	Color Arrangement	RGB-stripe	-
6	Driver IC	ST7735S	-
7	Back Light	White LED*1	-
8	Viewing Direction	ALL	-

9	Interface	4-SPI	-
10	Surface Treatment	UV Cut	-
11	touch panel	N/A	-

Parameter	Specifications	Unit
Outline dimensions	13.50 x27.95 x1.5(D) (LCM,no include FPC)	mm
Active area	10.80(W) x21.62(H)	mm
Resolution	80(H)xRGBx160(V) dots	-
Dot size	NA	mm
Luminance value	Type 350	cd/m ²

Production Drawing of the 0.96 inch 80x160 IPS TFT LCD

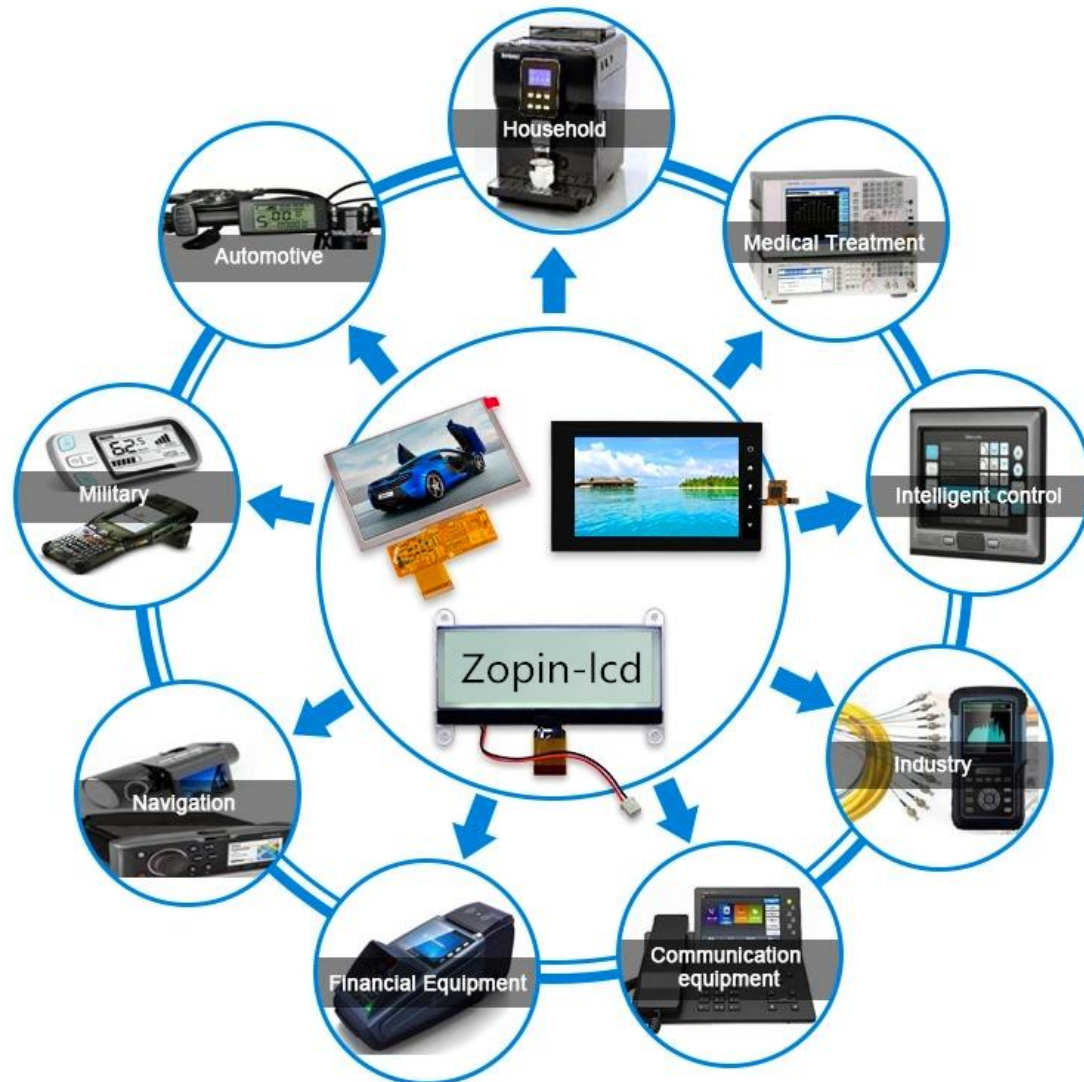


Production PINS Definition of the 0.96 inch 80x160 IPS TFT LCD

PIN FUNCTION	
PIN	SYMBOL
1	TP0 (NC)
2	TP1 (NC)
3	SDA
4	SCL
5	RS
6	RESET
7	CS
8	GND
9	NC
10	VCC
11	LEDK
12	LEDA
13	GND

Product Feature and Application of the 0.96 inch 80x160 IPS TFT LCD

Product Application



Product Inspection of the 0.96 inch 80x160 IPS TFT LCD

Before package and shipment, the original products will be tested one by one by our technicians and QC team to make sure the quality of every product is good.

We will test goods strictly according to our standard inspection before shipment.

Delivery, shipping and Severing of the 0.96 inch 80x160 IPS TFT LCD

- 1) . Payment Terms: T/T,Western Union.
- 2). Shipping: Prompt delivery by UPS, EMS, DHL, TNT, FedEx, or by air.
- 3). Delivery time: 3-7 days for goods in stock, 3-4 weeks for mass production goods.

Shenzhen Zopin Technology Co., LTD ,
Phone:+86-755-27593403
E-mail: Frank@zopin-lcd.com

- 4). Packaging Details: Packed in anti-static bags with foam box to ensure safety in transportation.
- 5). Delivery Details: 1 to 30 days. The delivery fee is up to the weight and volume of the products.
- 6). Samples: Our company offers samples for quality test or other business purposes, but we kindly ask you to pay for samples and the freight.

PACKAGE & LOGISTICS


VACANCY TRAY ADHESIVE TAPE



SHOCKPROOF & WATERPROOF



COMPLETE PACKAGE



TRANSPORTATION



SIGN FOR

Shipping&Payment

FAQ

Q: What is the MOQ?

A: Generally if you choose the different products, our minimum order qty also will be different.

Q: What about the delivery time?

A: The LCD products need 3-4 weeks to be made after receive deposit.

Q: Does your product have any warranty?

A: Yes, we offer 12 months warranty for our products. Damage due to misuse, ill treatment and unauthorized modifications and repairs are not covered by our warranty.

Q: What's your payment method?

A: We usually accept the payment methods include T/T, Western Union. 50-100% deposit in advance and balance before shipping upon the payment amount. Buyer can choose which payment ways that you accept.

Q: What's your shipping method?

A: We provide comprehensive shipping methods.

For small quantity orders we ship by UPS Air-Express, or DHL/FEDEX/TNT/EMS Express service, it is safe and fast.

For large quantity orders we ship by buyer's cargo agent in China, we can also ship by Air transportation or sea transportation.

Q: Do you offer custom solution?

A: Yes, we can offer custom solution if standard products couldn't meet buyer's requirements.

Latest News